



Service Manual

GREE ELECTRIC APPLIANCES, INC. OF ZHUHAI



Table of Contents

Part I :Technical Information	1
1.Summary	1
2.Specifications	3
3.Outline Dimension Diagram	19
4.Refrigerant System Diagram	20
5.Electrical Part	21
5.1 Wiring Diagram.....	21
5.2 PCB Printed Diagram.....	25
6.Function and Control	28
6.1 Introduction of Control Pane	28
6.2 Introduction of Remote Controller	29
6.3 GREE+ App Operation Manual.....	35
6.4 Ewpe Smart App Operation Manual	36
6.5 Function Introduction	37
Part II :Installation and Maintenance	40
7.Notes for Installation and Maintenance	40
8.Installation	43
8.1 Installation Precaution.....	43
8.2 Location	43
8.3 How to Install.....	43
8.4 Installation Procedure	43
8.5 Installation Assistance	43
8.6 Drain Water for One Style.....	44
8.7 Drain Water for Another Style	44
8.8 Notes for Installation	44

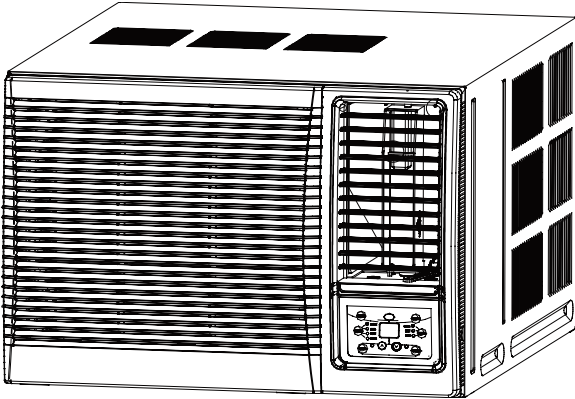
9.Maintenance	45
9.1 Error Code	45
9.2 Malfunction of Temperature Sensor	47
9.3 Maintenance Method for Normal Malfunction	52
10.Exploded View and Parts List	55
11.Removal Procedure	88
Appendix:	98
Appendix 1: Reference Sheet of Celsius and Fahrenheit	98
Appendix 2: List of Resistance for Temperature Sensor	99

Part I : Technical Information

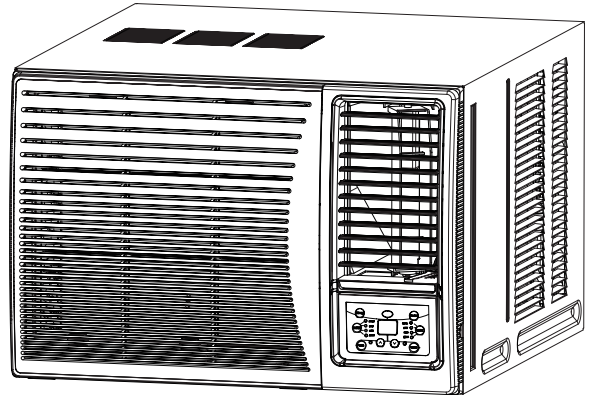
1. Summary

Models:

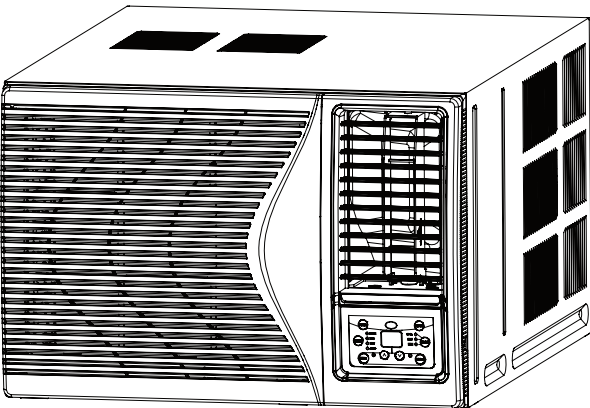
R1 Panel:



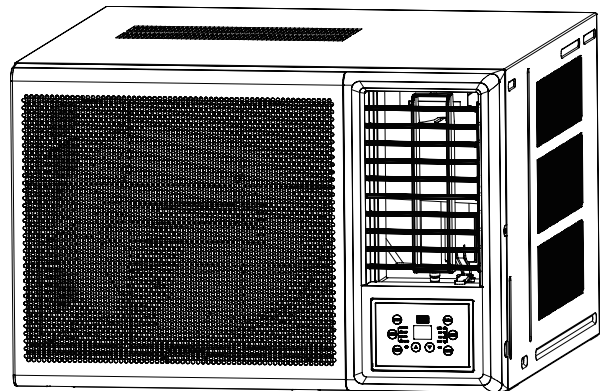
B3 Panel:



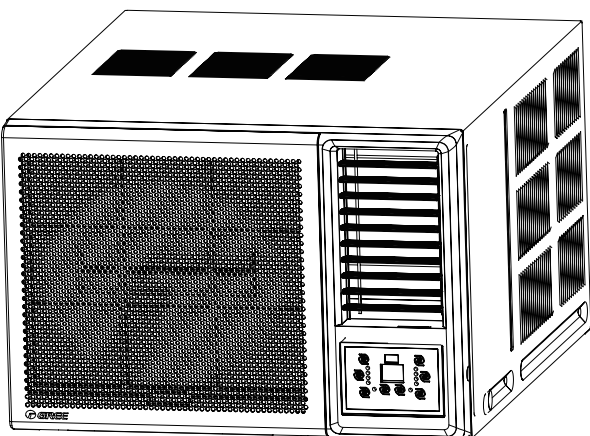
B9 Panel:



G1 Panel:



G2 Panel:



Remote Controller:



YAW1F7(WiFi)



YAW1F11

Model List:

No.	Model	Product code	Remote Controller
1	GJC12AG-K6NRNR1A	CC053008000	YAW1F7 (WiFi)
2	GJH12AG-K6NRNR1A	CC053010700	
3	GJC18AE-K6NRNR1A	CC053011400	
4	GJH18AE-K6NRNR1A	CC053010600	
5	GJC21AE-K6NRNR1A	CC053008100	
6	GJH21AE-K6NRNR1A	CC053010900	
7	GJC12AG-K6NRNB3A	CC053025500	
8	GJH12AG-K6NRNB3A	CC053026000	
9	GJC18AE-K6NRNB3A	CC053025300	
10	GJH18AE-K6NRNB3A	CC053025900	
11	GJC21AE-K6NRNB3A	CC053025800	
12	GJH21AE-K6NRNB3A	CC053025700	
13	GJC07AK-K6NRNR1A	CC053011000	
14	GJH07AK-K6NRNR1A	CC053011200	
15	GJC09AK-K6NRNR1A	CC053011300	
16	GJH09AK-K6NRNR1A	CC053010800	
17	GJH12AG-K6NRNB9A	CC053027900	
18	GJH18AE-K6NRNB9A	CC053027700	
19	GJH21AE-K6NRNB9A	CC053027800	
20	GJC07AK-K6NRNB3C	CC053029600	
21	GJH07AK-K6NRNB3C	CC053029500	
22	GJC09AK-K6NRNB3C	CC053029700	
23	GJH09AK-K6NRNB3C	CC053029800	
24	GJC21AE-K6NRNG1A	CC053030000	
25	GJH12AG-K6NRNG1A	CC053032700	
26	GJC12AG-K6NRNG1A	CC053034300	
27	GJH18AE-K6NRNG1A	CC053032800	
28	GJC18AE-K6NRNG1A	CC053034400	
29	GJH21AE-K6NRNG1A	CC053032600	
30	GJC07AK-K6NRNG2A	CC053033100	
31	GJH07AK-K6NRNG2A	CC053031300	
32	GJC09AK-K6NRNG2A	CC053033000	
33	GJH09AK-K6NRNG2A	CC053031400	
34	GJC12AG-K6NRNR1B	CC053016500	YAW1F11
35	GJH12AG-K6NRNR1B	CC053016300	
36	GJC18AE-K6NRNR1B	CC053016700	
37	GJH18AE-K6NRNR1B	CC053016800	
38	GJC21AE-K6NRNR1B	CC053016200	
39	GJH21AE-K6NRNR1B	CC053016100	
40	GJC07AK-K6NRNR1B	CC053016900	
41	GJH07AK-K6NRNR1B	CC053017000	
42	GJC09AK-K6NRNR1B	CC053016600	
43	GJH09AK-K6NRNR1B	CC053016400	

2.Specifications

Model			GJC18AE-K6NRNR1A GJC18AE-K6NRNR1B GJC18AE-K6NRNG1A	GJC12AG-K6NRNR1A GJC12AG-K6NRNR1B GJC12AG-K6NRNG1A
Product code			CC053011400 CC053016700 CC053034400	CC053008000 CC053016500 CC053034300
Power Supply	Rated Voltage	V~	220-240	220-240
	Rated Frequency	Hz	50	50
	Phases		1	1
Cooling Capacity		W	5300	3900
Heating Capacity		W	/	/
Cooling Power Input		W	1600	1180
Heating Power Input		W	/	/
Cooling Power Current		A	6.96	5.13
Heating Power Current		A	/	/
Rated Input		W	2100	1600
Rated Current		A	10	7.5
Air Flow Volume(H/M/L)		m ³ /h	780/720/660	640/590/540
Dehumidifying Volume		L/h	2.2	1.5
EER		W/W	3.31	3.31
COP		W/W	/	/
SEER		W/W	/	/
HSPF		W/W	/	/
Application Area		m ²	23-34	16-24
Fan Motor Speed(H/M/L)		rpm	1060/980/900	900/830/760
Output of Fan Motor		W	190	100
Fan Motor RLA		A	1.6	0.73
Fan Motor Capacitor		μF	7	4
Climate Type			T1	T1
Isolation			I	I
Moisture Protection(Outdoor)			IPX4	IPX4
Permissible Excessive Operating Pressure for the Discharge Side		MPa	4.3	4.3
Permissible Excessive Operating Pressure for the Suction Side		MPa	2.5	2.5
Dimension (WXHXD)		mm	660X428X770	660X428X700
Dimension of Carton Box (LXWXH)		mm	860X736X490	790X736X490
Dimension of Package (LXWXH)		mm	863X739X505	793X739X505
Net Weight		kg	58	48
Gross Weight		kg	62	52
Refrigerant			R32	R32
Refrigerant Charge		kg	0.7	0.55

Indoor side	Fan Type		Centrifugal	Centrifugal
	Diameter Length(DXL)	mm	Φ205X109.5	Φ197.6X111
	Input of Heater	W	190	100
	Evaporator Form		Aluminum Fin-copper Tube	Aluminum Fin-copper Tube
	Pipe Diameter	mm	Φ7	Φ7
	Row-fin Gap	mm	3-1.3	3-1.3
	Coil Length (LXHXW)	mm	401X38.1X381	401X38.1X381
	Swing Motor Model		SM020B	SM020B
	Output of Swing Motor	W	4	4
	Fuse	A	/	/
	Sound Pressure Level (H/M/L)	dB (A)	55/53/51	50/48/46
	Sound Power Level (H/M/L)	dB (A)	65/63/61	60/58/56
Outdoor side	Compressor Manufacturer/Trademark		ZHUHAI LANDA COMPRESSOR CO., LTD	ZHUHAI LANDA COMPRESSOR CO., LTD
	Compressor Model		QXF-D184F090AA	QXF-B133E090
	Compressor Oil		FW68DA	FW68DA
	Compressor Type		Rotary	Rotary
	L.R.A.	A	41	27.5
	Compressor RLA	A	5.84	4.4
	Compressor Power Input	W	1320	955
	Overload Protector		UP3-B7	HPA-325
	Throttling Method		Capillary	Capillary
	Operation Temp	°C	16~30	16~30
	Ambient temp (Cooling)	°C	18~43	18~43
	Ambient temp (Heating)	°C	/	/
	Condenser Form		Aluminum Fin-copper Tube	Aluminum Fin-copper Tube
	Pipe Diameter	mm	Φ5	Φ5
	Rows-fin Gap	mm	3-1.3	2-1.3
	Coil Length (LXHXW)	mm	839X34.2X400.05	688X22.8X400.05
	Fan Type		Axial-flow	Axial-flow
	Fan Diameter	mm	Φ396	Φ391
Sound Pressure Level (H/M/L)	dB (A)	63/60/57	60/58/56	
Sound Power Level (H/M/L)	dB (A)	72/69/66	70/68/66	
Defrosting Method		/	/	

The above data is subject to change without notice. Please refer to the nameplate of the unit.

Model			GJC18AE-K6NRNB3A	GJC12AG-K6NRNB3A
Product code			CC053025300	CC053025500
Power Supply	Rated Voltage	V~	220-240	220-240
	Rated Frequency	Hz	50	50
	Phases		1	1
Cooling Capacity		W	5300	3900
Heating Capacity		W	/	/
Cooling Power Input		W	1600	1180
Heating Power Input		W	/	/
Cooling Power Current		A	6.96	5.13
Heating Power Current		A	/	/
Rated Input		W	2100	1600
Rated Current		A	10	7.5
Air Flow Volume(H/M/L)		m ³ /h	780/720/660	640/590/540
Dehumidifying Volume		L/h	2.2	1.5
EER		W/W	3.31	3.31
COP		W/W	/	/
SEER		W/W	/	/
HSPF		W/W	/	/
Application Area		m ²	23-34	16-24
Fan Motor Speed(H/M/L)		rpm	1060/980/900	900/830/760
Output of Fan Motor		W	190	100
Fan Motor RLA		A	1.6	0.73
Fan Motor Capacitor		μF	7	4
Climate Type			T1	T1
Isolation			I	I
Moisture Protection(Outdoor)			IPX4	IPX4
Permissible Excessive Operating Pressure for the Discharge Side		MPa	4.3	4.3
Permissible Excessive Operating Pressure for the Suction Side		MPa	2.5	2.5
Dimension (WXHXD)		mm	660X428X770	660X428X700
Dimension of Carton Box (LXWXH)		mm	860X736X490	790X736X490
Dimension of Package (LXWXH)		mm	863X739X505	793X739X505
Net Weight		kg	58	48
Gross Weight		kg	62	52
Refrigerant			R32	R32
Refrigerant Charge		kg	0.7	0.55

Indoor side	Fan Type		Centrifugal	Centrifugal
	Diameter Length(DXL)	mm	Φ205X109.5	Φ197.6X111
	Input of Heater	W	190	100
	Evaporator Form		Aluminum Fin-copper Tube	Aluminum Fin-copper Tube
	Pipe Diameter	mm	Φ7	Φ7
	Row-fin Gap	mm	3-1.3	3-1.3
	Coil Length (LXHXW)	mm	401X38.1X381	401X38.1X381
	Swing Motor Model		SM020B	SM020B
	Output of Swing Motor	W	4	4
	Fuse	A	/	/
	Sound Pressure Level (H/M/L)	dB (A)	55/53/51	50/48/46
	Sound Power Level (H/M/L)	dB (A)	65/63/61	60/58/56
Outdoor side	Compressor Manufacturer/Trademark		ZHUHAI LANDA COMPRESSOR CO., LTD	ZHUHAI LANDA COMPRESSOR CO., LTD
	Compressor Model		QXF-D184F090AA	QXF-B133E090
	Compressor Oil		FW68DA	FW68DA
	Compressor Type		Rotary	Rotary
	L.R.A.	A	41	27.5
	Compressor RLA	A	5.84	4.4
	Compressor Power Input	W	1320	955
	Overload Protector		UP3-B7	HPA-325
	Throttling Method		Capillary	Capillary
	Operation Temp	°C	16~30	16~30
	Ambient temp (Cooling)	°C	18~43	18~43
	Ambient temp (Heating)	°C	/	/
	Condenser Form		Aluminum Fin-copper Tube	Aluminum Fin-copper Tube
	Pipe Diameter	mm	Φ5	Φ5
	Rows-fin Gap	mm	3-1.3	2-1.3
	Coil Length (LXHXW)	mm	839X34.2X400.05	688X22.8X400.05
	Fan Type		Axial-flow	Axial-flow
	Fan Diameter	mm	Φ396	Φ391
Sound Pressure Level (H/M/L)	dB (A)	63/60/57	60/58/56	
Sound Power Level (H/M/L)	dB (A)	72/69/66	70/68/66	
Defrosting Method		/	/	

The above data is subject to change without notice. Please refer to the nameplate of the unit.

Model			GJC21AE-K6NRNR1A GJC21AE-K6NRNR1B GJC21AE-K6NRNB3A GJC21AE-K6NRNG1A	GJH12AG-K6NRNR1A GJH12AG-K6NRNR1B GJH12AG-K6NRNB3A GJH12AG-K6NRNB9A
Product code			CC053008100 CC053016200 CC053025800 CC053030000	CC053010700 CC053016300 CC053026000 CC053027900
Power Supply	Rated Voltage	V~	220-240	220-240
	Rated Frequency	Hz	50	50
	Phases		1	1
Cooling Capacity		W	6000	3900
Heating Capacity		W	/	3600
Cooling Power Input		W	1810	1180
Heating Power Input		W	/	1060
Cooling Power Current		A	7.87	5.13
Heating Power Current		A	/	4.53
Rated Input		W	2400	1600
Rated Current		A	12.8	7.5
Air Flow Volume(H/M/L)		m ³ /h	860/800/740	660/610/560
Dehumidifying Volume		L/h	2.2	1.5
EER		W/W	3.31	3.31
COP		W/W	/	3.4
SEER		W/W	/	/
HSPF		W/W	/	/
Application Area		m ²	27-42	16-24
Fan Motor Speed(H/M/L)		rpm	1060/980/900	900/830/760
Output of Fan Motor		W	190	100
Fan Motor RLA		A	1.6	0.73
Fan Motor Capacitor		μF	7	4
Climate Type			T1	T1
Isolation			I	I
Moisture Protection(Outdoor)			IPX4	IPX4
Permissible Excessive Operating Pressure for the Discharge Side		MPa	4.3	4.3
Permissible Excessive Operating Pressure for the Suction Side		MPa	2.5	2.5
Dimension (WXHxD)		mm	660X428X770	660X428X700
Dimension of Carton Box (LXWXH)		mm	860X736X490	790X736X490
Dimension of Package (LXWXH)		mm	863X739X505	793X739X505
Net Weight		kg	61	51
Gross Weight		kg	65	55
Refrigerant			R32	R32
Refrigerant Charge		kg	0.78	0.86

Indoor side	Fan Type		Centrifugal	Centrifugal
	Diameter Length(DXL)	mm	Φ227X109.8	Φ197.6X111
	Input of Heater	W	190	100
	Evaporator Form		Aluminum Fin-copper Tube	Aluminum Fin-copper Tube
	Pipe Diameter	mm	Φ7	Φ7
	Row-fin Gap	mm	4-1.5	4-1.6
	Coil Length (LXHXW)	mm	400X50.8X381	400X50.8X381
	Swing Motor Model		SM020B	SM020B
	Output of Swing Motor	W	4	4
	Fuse	A	/	/
	Sound Pressure Level (H/M/L)	dB (A)	55/53/51	50/48/46
	Sound Power Level (H/M/L)	dB (A)	65/63/61	60/58/56
Outdoor side	Compressor Manufacturer/Trademark		ZHUHAI LANDA COMPRESSOR CO., LTD	ZHUHAI LANDA COMPRESSOR CO., LTD
	Compressor Model		QXF-E21H090	QXF-B133E090
	Compressor Oil		FW68DA	FW68DA
	Compressor Type		Rotary	Rotary
	L.R.A.	A	39.00	27.5
	Compressor RLA	A	6.70	4.4
	Compressor Power Input	W	1520	955
	Overload Protector		HPA-340	HPA-325
	Throttling Method		Capillary	Capillary
	Operation Temp	°C	16~30	16~30
	Ambient temp (Cooling)	°C	18~43	18~43
	Ambient temp (Heating)	°C	/	-7~30
	Condenser Form		Aluminum Fin-copper Tube	Aluminum Fin-copper Tube
	Pipe Diameter	mm	Φ5	Φ7
	Rows-fin Gap	mm	3-1.3	2-1.3
	Coil Length (LXHXW)	mm	839X34.2X400.05	685X25.4X400
	Fan Type		Axial-flow	Axial-flow
	Fan Diameter	mm	Φ396	Φ391
	Sound Pressure Level (H/M/L)	dB (A)	62/59/56	60/58/56
	Sound Power Level (H/M/L)	dB (A)	72/69/66	70/68/66
Defrosting Method		/	/	

The above data is subject to change without notice. Please refer to the nameplate of the unit.

Model			GJH18AE-K6NRNR1A GJH18AE-K6NRNR1B GJH18AE-K6NRNB3A GJH18AE-K6NRNB9A	GJH21AE-K6NRNR1A GJH21AE-K6NRNR1B GJH21AE-K6NRNB3A GJH21AE-K6NRNB9A
Product code			CC053010600 CC053016800 CC053025900 CC053027700	CC053010900 CC053016100 CC053025700 CC053027800
Power Supply	Rated Voltage	V~	220-240	220-240
	Rated Frequency	Hz	50	50
	Phases		1	1
Cooling Capacity		W	5300	6000
Heating Capacity		W	4800	5515
Cooling Power Input		W	1600	1810
Heating Power Input		W	1450	1690
Cooling Power Current		A	7.87	7.87
Heating Power Current		A	7.35	7.35
Rated Input		W	2100	2600
Rated Current		A	10.7	13.2
Air Flow Volume(H/M/L)		m ³ /h	780/720/660	840/780/720
Dehumidifying Volume		L/h	2.2	2.2
EER		W/W	3.31	3.31
COP		W/W	3.31	3.26
SEER		W/W	/	/
HSPF		W/W	/	/
Application Area		m ²	23-34	27-42
Fan Motor Speed(H/M/L)		rpm	1060/980/900	1160/1050/940
Output of Fan Motor		W	190	170
Fan Motor RLA		A	0.8	0.8
Fan Motor Capacitor		μF	7	7
Climate Type			T1	T1
Isolation			I	I
Moisture Protection(Outdoor)			IPX4	IPX4
Permissible Excessive Operating Pressure for the Discharge Side		MPa	4.3	4.3
Permissible Excessive Operating Pressure for the Suction Side		MPa	2.5	2.5
Dimension (WXHXD)		mm	660X428X770	660X428X770
Dimension of Carton Box (LXWXH)		mm	860X736X490	860X736X490
Dimension of Package (LXWXH)		mm	863X739X505	863X739X505
Net Weight		kg	64	65
Gross Weight		kg	69	70
Refrigerant			R32	R32
Refrigerant Charge		kg	1.08	1.05

Indoor side	Fan Type		Centrifugal	Centrifugal
	Diameter Length(DXL)	mm	Φ201.5X109.5	Φ201.5X109.5
	Input of Heater	W	190	170
	Evaporator Form		Aluminum Fin-copper Tube	Aluminum Fin-copper Tube
	Pipe Diameter	mm	Φ7	Φ7
	Row-fin Gap	mm	4-1.6	4-1.6
	Coil Length (LXHXW)	mm	400X50.8X381	400X50.8X381
	Swing Motor Model		SM020B	SM020B
	Output of Swing Motor	W	4	4
	Fuse	A	/	/
	Sound Pressure Level (H/M/L)	dB (A)	55/53/51	56/54/52
	Sound Power Level (H/M/L)	dB (A)	65/63/61	66/64/62
Outdoor side	Compressor Manufacturer/Trademark		ZHUHAI LANDA COMPRESSOR CO., LTD	ZHUHAI LANDA COMPRESSOR CO., LTD
	Compressor Model		QXF-D184F090AA	QXF-E21H090
	Compressor Oil		FW68DA	FW68DA
	Compressor Type		Rotary	Rotary
	L.R.A.	A	39	39.00
	Compressor RLA	A	6.7	6.70
	Compressor Power Input	W	1520	1520
	Overload Protector		HPA-340	HPA-340
	Throttling Method		Capillary	Capillary
	Operation Temp	°C	16~30	16~30
	Ambient temp (Cooling)	°C	18~43	18~43
	Ambient temp (Heating)	°C	-7~30	-7~30
	Condenser Form		Aluminum Fin-copper Tube	Aluminum Fin-copper Tube
	Pipe Diameter	mm	Φ7	Φ7
	Rows-fin Gap	mm	3-1.4	3-1.4
	Coil Length (LXHXW)	mm	871X38.1X400.1	871X38.1X400.1
	Fan Type		Axial-flow	Axial-flow
	Fan Diameter	mm	Φ396	Φ396
	Sound Pressure Level (H/M/L)	dB (A)	63/61/59	64/62/60
	Sound Power Level (H/M/L)	dB (A)	73/71/69	74/72/70
Defrosting Method		/	/	

The above data is subject to change without notice. Please refer to the nameplate of the unit.

Model		GJC07AK-K6NRNR1A GJC07AK-K6NRNR1B GJC07AK-K6NRNB3C GJC07AK-K6NRNG2A	GJH07AK-K6NRNR1A GJH07AK-K6NRNR1B GJH07AK-K6NRNB3C GJH07AK-K6NRNG2A
Product code		CC053011000 CC053016900 CC053029600 CC053033100	CC053011200 CC053017000 CC053029500 CC053031300
Power Supply	Rated Voltage	V~	220-240
	Rated Frequency	Hz	50
	Phases		1
Cooling Capacity	W	2200	2200
Heating Capacity	W	/	1900
Cooling Power Input	W	660	660
Heating Power Input	W	/	570
Cooling Power Current	A	2.87	2.87
Heating Power Current	A	/	2.48
Rated Input	W	950	950
Rated Current	A	4.5	4.5
Air Flow Volume(H/M/L)	m ³ /h	480/430/380	480/430/380
Dehumidifying Volume	L/h	1.0	1.0
EER	W/W	3.33	3.33
COP	W/W	/	3.33
SEER	W/W	/	/
HSPF	W/W	/	/
Application Area	m ²	12-18	12-18
Fan Motor Speed(H/M/L)	rpm	930/870/810	930/870/810
Output of Fan Motor	W	45	45
Fan Motor RLA	A	0.43	0.43
Fan Motor Capacitor	μF	3.5	3.5
Climate Type		T1	T1
Isolation		I	I
Moisture Protection(Outdoor)		IPX4	IPX4
Permissible Excessive Operating Pressure for the Discharge Side	MPa	4.3	4.3
Permissible Excessive Operating Pressure for the Suction Side	MPa	2.5	2.5
Dimension (WXHXD)	mm	560X375X668	560X375X668
Dimension of Carton Box (LXWXH)	mm	763X620X410	763X620X410
Dimension of Package (LXWXH)	mm	766X623X425	766X623X425
Net Weight	kg	35	36
Gross Weight	kg	38.5	39.5
Refrigerant		R32	R32
Refrigerant Charge	kg	0.36	0.535

Indoor side	Fan Type		Centrifugal	Centrifugal
	Diameter Length(DXL)	mm	Φ205.5X111	Φ205.5X111
	Input of Heater	W	/	/
	Evaporator Form		Aluminum Fin-copper Tube	Aluminum Fin-copper Tube
	Pipe Diameter	mm	Φ7	Φ7
	Row-fin Gap	mm	3-1.3	3-1.3
	Coil Length (LXHXW)	mm	330X38.1X324	330X38.1X324
	Swing Motor Model		MP24VA	MP24VA
	Output of Swing Motor	W	1.5	1.5
	Fuse	A	3.15	3.15
	Sound Pressure Level (H/M/L)	dB (A)	50/48/46	50/48/46
	Sound Power Level (H/M/L)	dB (A)	60/58/56	60/58/56
Outdoor side	Compressor Manufacturer/Trademark		ZHUHAI LANDA COMPRESSOR CO., LTD	ZHUHAI LANDA COMPRESSOR CO., LTD
	Compressor Model		QXF-A075D190	QXF-A075D190
	Compressor Oil		FW68DA or equivalent	FW68DA or equivalent
	Compressor Type		Rotary	Rotary
	L.R.A.	A	14	14
	Compressor RLA	A	2.5	2.5
	Compressor Power Input	W	558	558
	Overload Protector		HPA-414	HPA-414
	Throttling Method		Capillary	Capillary
	Operation Temp	°C	16 ~30	16~30
	Ambient temp (Cooling)	°C	18~43	18~43
	Ambient temp (Heating)	°C	/	-7~30
	Condenser Form		Aluminum Fin-copper Tube	Aluminum Fin-copper Tube
	Pipe Diameter	mm	Φ5	Φ7
	Rows-fin Gap	mm	2-1.3	2-1.4
	Coil Length (LXHXW)	mm	612X22.8X342.9	611X25.4X342.9
	Fan Type		Axial-flow	Axial-flow
	Fan Diameter	mm	Φ353	Φ353
	Sound Pressure Level (H/M/L)	dB (A)	57/55/53	57/55/53
	Sound Power Level (H/M/L)	dB (A)	67/65/63	67/65/63
Defrosting Method		/	/	

The above data is subject to change without notice. Please refer to the nameplate of the unit.

Model			GJC09AK-K6NRNR1A GJC09AK-K6NRNR1B GJC09AK-K6NRNB3C GJC09AK-K6NRNG2A	GJH09AK-K6NRNR1B
Product code			CC053011300 CC053016600 CC053029700 CC053033000	CC053016400
Power Supply	Rated Voltage	V~	220-240	220-240
	Rated Frequency	Hz	50	50
	Phases		1	1
Cooling Capacity		W	2750	2750
Heating Capacity		W	/	2450
Cooling Power Input		W	825	825
Heating Power Input		W	/	740
Cooling Power Current		A	3.63	3.63
Heating Power Current		A	/	3.25
Rated Input		W	1100	1100
Rated Current		A	5	5
Air Flow Volume(H/M/L)		m ³ /h	480/430/380	480/430/380
Dehumidifying Volume		L/h	1.0	1.0
EER		W/W	3.33	3.33
COP		W/W	/	3.33
SEER		W/W	/	/
HSPF		W/W	/	/
Application Area		m ²	12-18	12-18
Fan Motor Speed(H/M/L)		rpm	930/870/810	930/870/810
Output of Fan Motor		W	45	45
Fan Motor RLA		A	0.43	0.43
Fan Motor Capacitor		μF	3.5	3.5
Climate Type			T1	T1
Isolation			I	I
Moisture Protection(Outdoor)			IPX4	IPX4
Permissible Excessive Operating Pressure for the Discharge Side		MPa	4.3	4.3
Permissible Excessive Operating Pressure for the Suction Side		MPa	2.5	2.5
Dimension (WXHxD)		mm	560X375X668	560X375X668
Dimension of Carton Box (LXWXH)		mm	763X620X410	763X620X410
Dimension of Package (LXWXH)		mm	766X623X425	766X623X425
Net Weight		kg	39	40
Gross Weight		kg	42.5	43.5
Refrigerant			R32	R32
Refrigerant Charge		kg	0.41	0.6

Indoor side	Fan Type		Centrifugal	Centrifugal
	Diameter Length(DXL)	mm	Φ205.5X111	Φ205.5X111
	Input of Heater	W	/	/
	Evaporator Form		Aluminum Fin-copper Tube	Aluminum Fin-copper Tube
	Pipe Diameter	mm	Φ7	Φ7
	Row-fin Gap	mm	3-1.3	3-1.3
	Coil Length (LXHXW)	mm	330X38.1X324	330X38.1X324
	Swing Motor Model		MP24VA	MP24VA
	Output of Swing Motor	W	1.5	1.5
	Fuse	A	3.15	3.15
	Sound Pressure Level (H/M/L)	dB (A)	50/48/46	50/48/46
	Sound Power Level (H/M/L)	dB (A)	60/58/56	60/58/56
Outdoor side	Compressor Manufacturer/Trademark		ZHUHAI LANDA COMPRESSOR CO., LTD	ZHUHAI LANDA COMPRESSOR CO., LTD
	Compressor Model		QXF-B098C190	QXF-B098C190
	Compressor Oil		FW68DA or equivalent	FW68DA or equivalent
	Compressor Type		Rotary	Rotary
	L.R.A.	A	21.5	21.5
	Compressor RLA	A	3.2	3.2
	Compressor Power Input	W	686	686
	Overload Protector		HPA-422	HPA-422
	Throttling Method		Capillary	Capillary
	Operation Temp	°C	16~30	16~30
	Ambient temp (Cooling)	°C	18~43	18~43
	Ambient temp (Heating)	°C	/	-7~30
	Condenser Form		Aluminum Fin-copper Tube	Aluminum Fin-copper Tube
	Pipe Diameter	mm	Φ5	Φ7
	Rows-fin Gap	mm	2-1.3	2-1.4
	Coil Length (LXHXW)	mm	612X22.8X342.9	611X25.4X342.9
	Fan Type		Axial-flow	Axial-flow
	Fan Diameter	mm	Φ353	Φ353
Sound Pressure Level (H/M/L)	dB (A)	57/55/53	57/55/53	
Sound Power Level (H/M/L)	dB (A)	67/65/63	67/65/63	
Defrosting Method		/	/	

The above data is subject to change without notice. Please refer to the nameplate of the unit.

Model			GJH09AK-K6NRNR1A GJH09AK-K6NRNB3C GJH09AK-K6NRNG2A	GJH12AG-K6NRNG1A
Product code			CC053010800 CC053029800 CC053031400	CC053032700
Power Supply	Rated Voltage	V~	220-240	220-240
	Rated Frequency	Hz	50	50
	Phases		1	1
Cooling Capacity		W	2800	3900
Heating Capacity		W	2450	3600
Cooling Power Input		W	840	1180
Heating Power Input		W	740	1060
Cooling Power Current		A	3.69	5.13
Heating Power Current		A	3.25	4.53
Rated Input		W	1100	1600
Rated Current		A	5	7.5
Air Flow Volume(H/M/L)		m ³ /h	480/430/380	660/610/560
Dehumidifying Volume		L/h	1.0	1.5
EER		W/W	3.33	3.31
COP		W/W	3.33	3.4
SEER		W/W	/	/
HSPF		W/W	/	/
Application Area		m ²	12-18	16-24
Fan Motor Speed(H/M/L)		rpm	930/870/810	900/830/760
Output of Fan Motor		W	45	100
Fan Motor RLA		A	0.43	0.73
Fan Motor Capacitor		μF	3.5	4
Climate Type			T1	T1
Isolation			I	I
Moisture Protection(Outdoor)			IPX4	IPX4
Permissible Excessive Operating Pressure for the Discharge Side		MPa	4.3	4.3
Permissible Excessive Operating Pressure for the Suction Side		MPa	2.5	2.5
Dimension (WXHXD)		mm	560X375X668	660X428X700
Dimension of Carton Box (LXWXH)		mm	763X620X410	790X736X490
Dimension of Package (LXWXH)		mm	766X623X425	793X739X505
Net Weight		kg	40	51
Gross Weight		kg	43.5	55
Refrigerant			R32	R32
Refrigerant Charge		kg	0.6	0.86

Indoor side	Fan Type		Centrifugal	Centrifugal
	Diameter Length(DXL)	mm	Φ205.5X111	Φ197.6X111
	Input of Heater	W	/	100
	Evaporator Form		Aluminum Fin-copper Tube	Aluminum Fin-copper Tube
	Pipe Diameter	mm	Φ7	Φ7
	Row-fin Gap	mm	3-1.3	4-1.6
	Coil Length (LXHXW)	mm	330X38.1X324	400X50.8X381
	Swing Motor Model		MP24VA	SM020B
	Output of Swing Motor	W	1.5	4
	Fuse	A	3.15	/
	Sound Pressure Level (H/M/L)	dB (A)	50/48/46	50/48/46
	Sound Power Level (H/M/L)	dB (A)	60/58/56	60/58/56
Outdoor side	Compressor Manufacturer/Trademark		ZHUHAI LANDA COMPRESSOR CO., LTD	ZHUHAI LANDA COMPRESSOR CO., LTD
	Compressor Model		QXF-B098C190	QXF-B133E090
	Compressor Oil		FW68DA or equivalent	FW68DA
	Compressor Type		Rotary	Rotary
	L.R.A.	A	21.5	27.5
	Compressor RLA	A	3.2	4.4
	Compressor Power Input	W	686	955
	Overload Protector		HPA-422	HPA-325
	Throttling Method		Capillary	Capillary
	Operation Temp	°C	16~30	16~30
	Ambient temp (Cooling)	°C	18~43	18~43
	Ambient temp (Heating)	°C	-7~30	-7~30
	Condenser Form		Aluminum Fin-copper Tube	Aluminum Fin-copper Tube
	Pipe Diameter	mm	Φ7	Φ7
	Rows-fin Gap	mm	2-1.4	2-1.3
	Coil Length (LXHXW)	mm	611X25.4X342.9	685X25.4X400
	Fan Type		Axial-flow	Axial-flow
	Fan Diameter	mm	Φ353	Φ391
Sound Pressure Level (H/M/L)	dB (A)	57/55/53	60/58/56	
Sound Power Level (H/M/L)	dB (A)	67/65/63	70/68/66	
Defrosting Method		/	/	

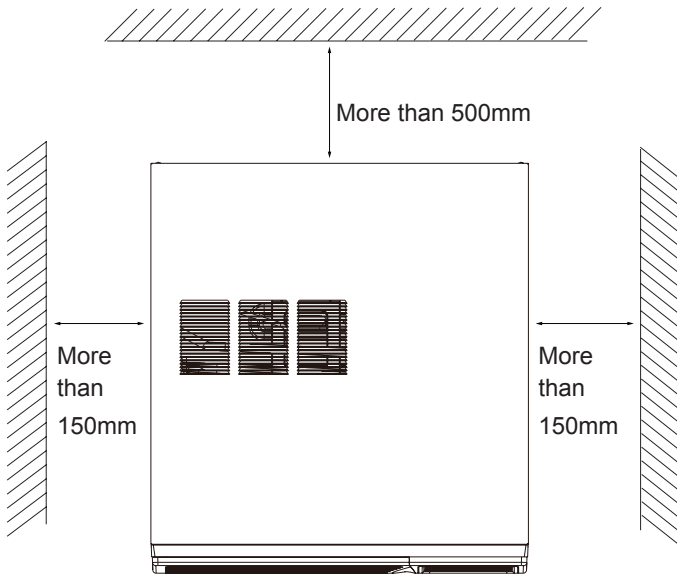
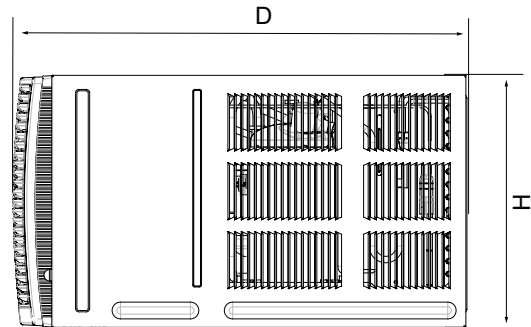
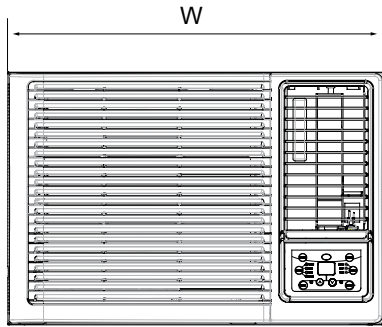
The above data is subject to change without notice. Please refer to the nameplate of the unit.

Model			GJH18AE-K6NRNG1A	GJH21AE-K6NRNG1A
Product code			CC053032800	CC053032600
Power Supply	Rated Voltage	V~	220-240	220-240
	Rated Frequency	Hz	50	50
	Phases		1	1
Cooling Capacity		W	5300	6000
Heating Capacity		W	4800	5515
Cooling Power Input		W	1600	1810
Heating Power Input		W	1450	1690
Cooling Power Current		A	7.87	7.87
Heating Power Current		A	7.35	7.35
Rated Input		W	2100	2600
Rated Current		A	10.7	13.2
Air Flow Volume(H/M/L)		m ³ /h	780/720/660	840/780/720
Dehumidifying Volume		L/h	2.2	2.2
EER		W/W	3.31	3.31
COP		W/W	3.31	3.26
SEER		W/W	/	/
HSPF		W/W	/	/
Application Area		m ²	23-34	27-42
Fan Motor Speed(H/M/L)		rpm	1060/950/880	1160/1050/940
Output of Fan Motor		W	190	170
Fan Motor RLA		A	0.8	0.8
Fan Motor Capacitor		μF	7	7
Climate Type			T1	T1
Isolation			I	I
Moisture Protection(Outdoor)			IPX4	IPX4
Permissible Excessive Operating Pressure for the Discharge Side		MPa	4.3	4.3
Permissible Excessive Operating Pressure for the Suction Side		MPa	2.5	2.5
Dimension (WXHxD)		mm	660X428X770	660X428X770
Dimension of Carton Box (LXWXH)		mm	860X736X490	860X736X490
Dimension of Package (LXWXH)		mm	863X739X505	863X739X505
Net Weight		kg	64	65
Gross Weight		kg	69	70
Refrigerant			R32	R32
Refrigerant Charge		kg	1.08	1.05

Indoor side	Fan Type		Centrifugal	Centrifugal
	Diameter Length(DXL)	mm	Φ201.5X109.5	Φ201.5X109.5
	Input of Heater	W	190	170
	Evaporator Form		Aluminum Fin-copper Tube	Aluminum Fin-copper Tube
	Pipe Diameter	mm	Φ7	Φ7
	Row-fin Gap	mm	4-1.6	4-1.6
	Coil Length (LXHXW)	mm	400X50.8X381	400X50.8X381
	Swing Motor Model		SM020B	SM020B
	Output of Swing Motor	W	4	4
	Fuse	A	/	/
	Sound Pressure Level (H/M/L)	dB (A)	55/53/51	56/54/52
	Sound Power Level (H/M/L)	dB (A)	65/63/61	66/64/62
Outdoor side	Compressor Manufacturer/Trademark		ZHUHAI LANDA COMPRESSOR CO., LTD	ZHUHAI LANDA COMPRESSOR CO., LTD
	Compressor Model		QXF-D184F090AA	QXF-E21H090
	Compressor Oil		FW68DA	FW68DA
	Compressor Type		Rotary	Rotary
	L.R.A.	A	39	39.00
	Compressor RLA	A	6.7	6.70
	Compressor Power Input	W	1520	1520
	Overload Protector		HPA-340	HPA-340
	Throttling Method		Capillary	Capillary
	Operation Temp	°C	16~30	16~30
	Ambient temp (Cooling)	°C	18~43	18~43
	Ambient temp (Heating)	°C	-7~30	-7~30
	Condenser Form		Aluminum Fin-copper Tube	Aluminum Fin-copper Tube
	Pipe Diameter	mm	Φ7	Φ7
	Rows-fin Gap	mm	3-1.4	3-1.4
	Coil Length (LXHXW)	mm	871X38.1X400.1	871X38.1X400.1
	Fan Type		Axial-flow	Axial-flow
	Fan Diameter	mm	Φ396	Φ396
	Sound Pressure Level (H/M/L)	dB (A)	63/61/59	64/62/60
	Sound Power Level (H/M/L)	dB (A)	73/71/69	74/72/70
Defrosting Method		/	/	

The above data is subject to change without notice. Please refer to the nameplate of the unit.

3.Outline Dimension Diagram



No obstacles within 1m at least in front of air outlet.

Unit:mm

Model	W	H	D
07/09K	560	375	668
12K	660	428	700
18/21K	660	428	770

5. Electrical Part

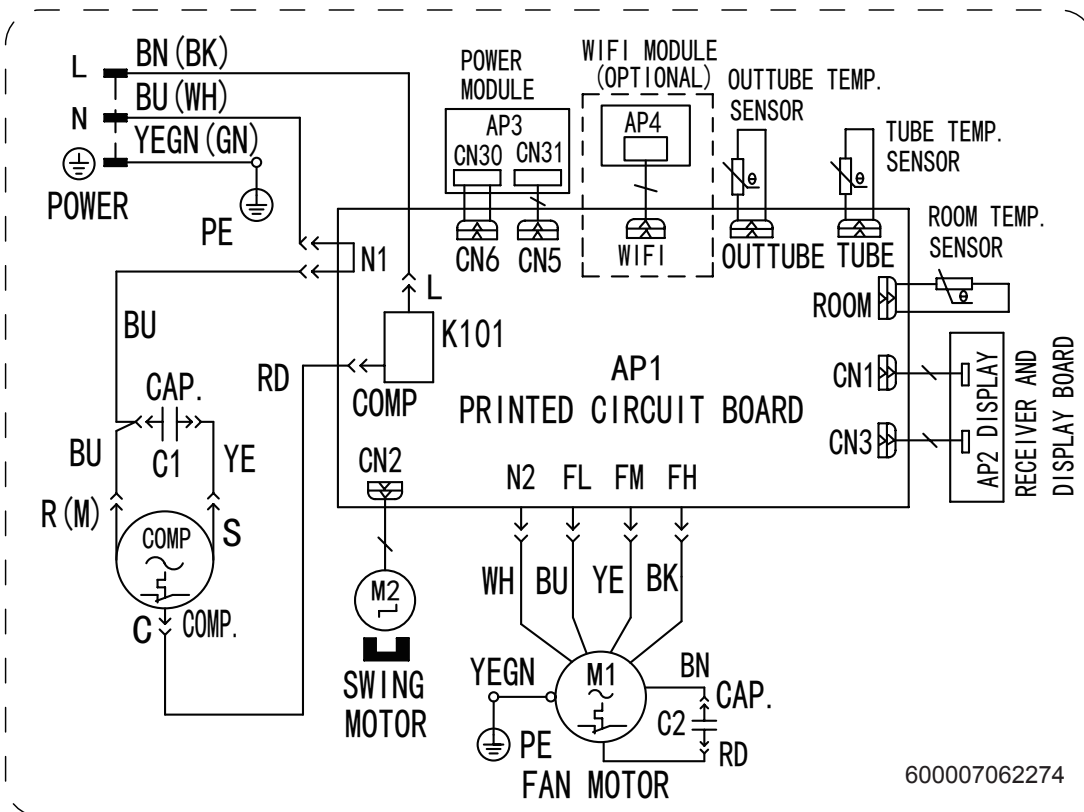
5.1 Wiring Diagram

•Instruction

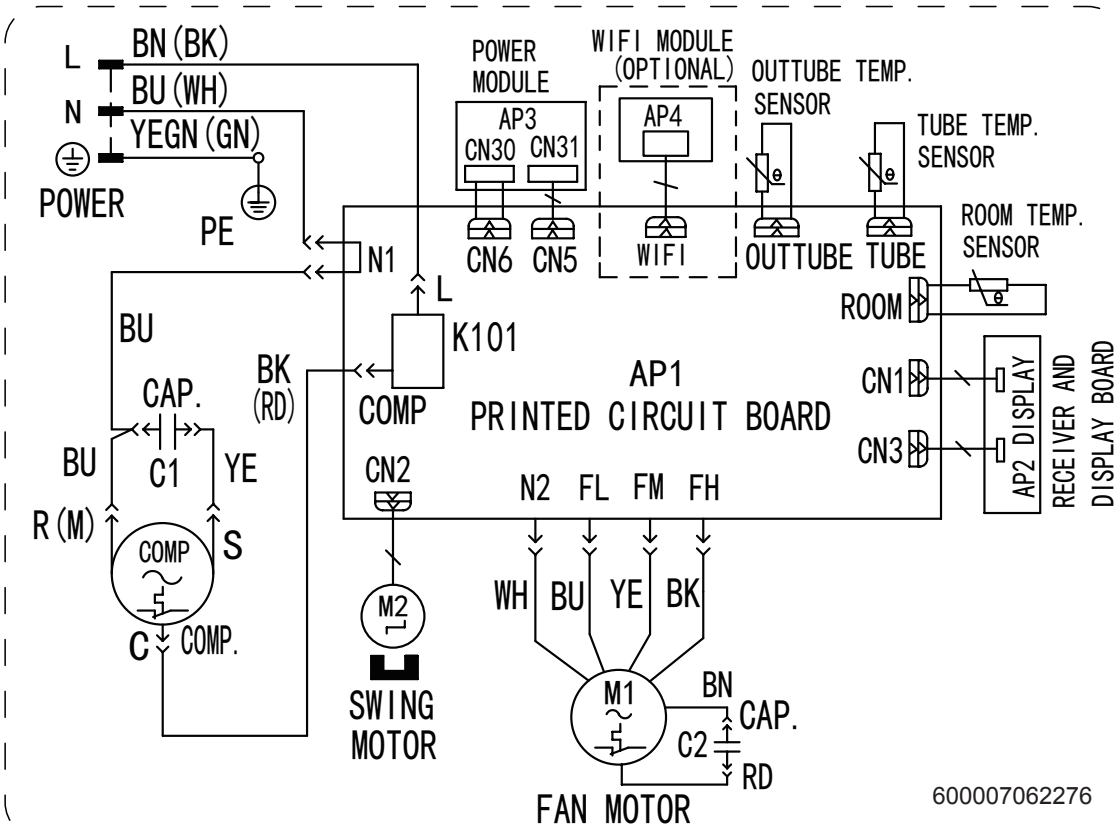
Symbol	Symbol Color	Symbol	Symbol Color	Symbol	Name
WH	White	GN	Green	CAP.	Capacitor
YE	Yellow	BN	Brown	COMP	Compressor
RD	Red	BU	Blue		Grounding wire
YEGN	Yellow-Green	BK	Black	/	/

•Electric Diagram

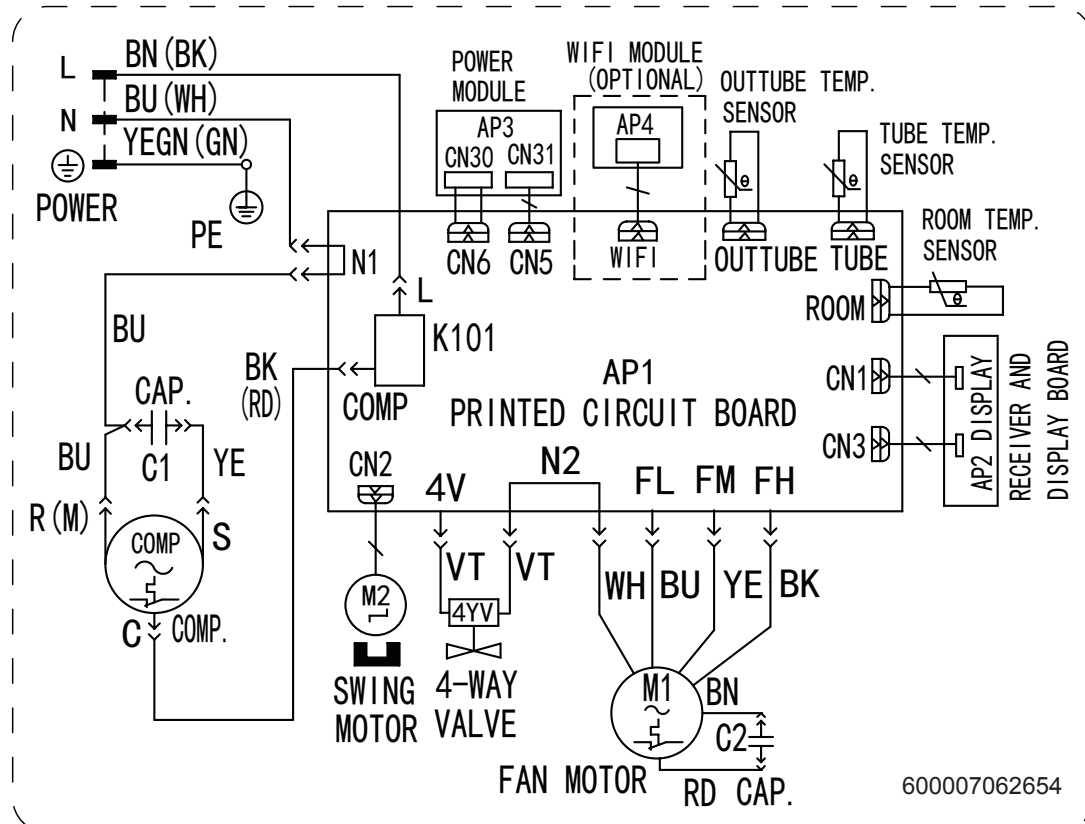
GJC18AE-K6NRNR1A GJC18AE-K6NRNR1B GJC18AE-K6NRNB3A GJC18AE-K6NRNG1A
 GJC21AE-K6NRNR1A GJC21AE-K6NRNR1B GJC21AE-K6NRNB3A GJC21AE-K6NRNG1A



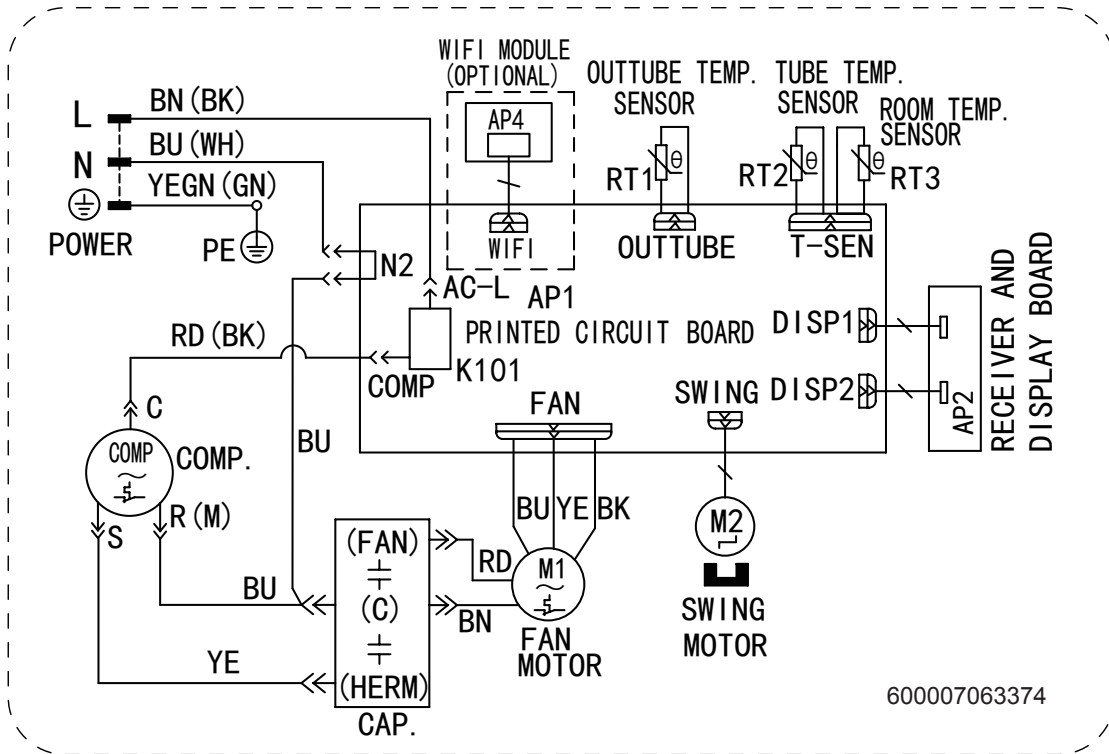
GJC12AG-K6NRNR1A GJC12AG-K6NRNR1B GJC12AG-K6NRNB3A GJC12AG-K6NRNG1A



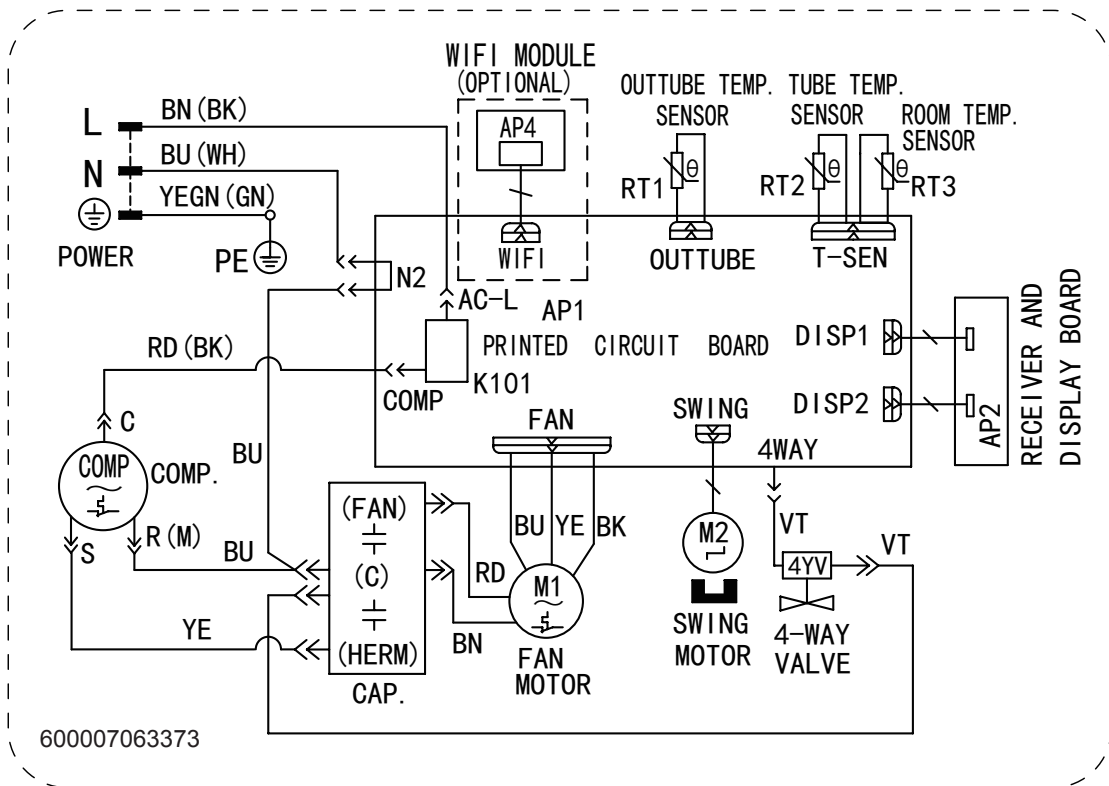
GJH12AG-K6NRNR1A GJH12AG-K6NRNR1B GJH12AG-K6NRNB3A GJH12AG-K6NRNB9A
GJH12AG-K6NRNG1A



GJC07AK-K6NRNR1A GJC09AK-K6NRNR1A GJC07AK-K6NRNR1B GJC09AK-K6NRNR1B
 GJC07AK-K6NRNB3C GJC09AK-K6NRNB3C GJC07AK-K6NRNG2A GJC09AK-K6NRNG2A



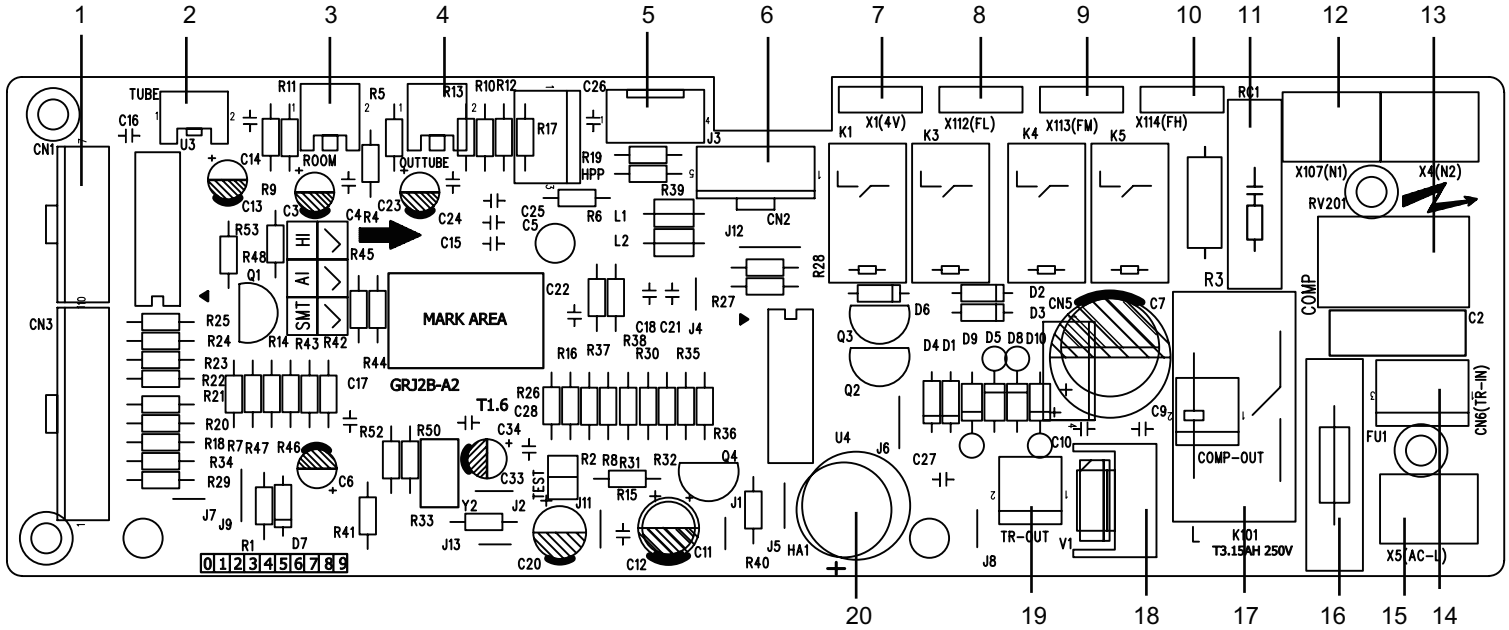
GJH07AK-K6NRNR1A GJH09AK-K6NRNR1A GJH07AK-K6NRNR1B GJH09AK-K6NRNR1B
 GJH07AK-K6NRNB3C GJH09AK-K6NRNB3C GJH07AK-K6NRNG2A GJH09AK-K6NRNG2A



5.2 PCB Printed Diagram

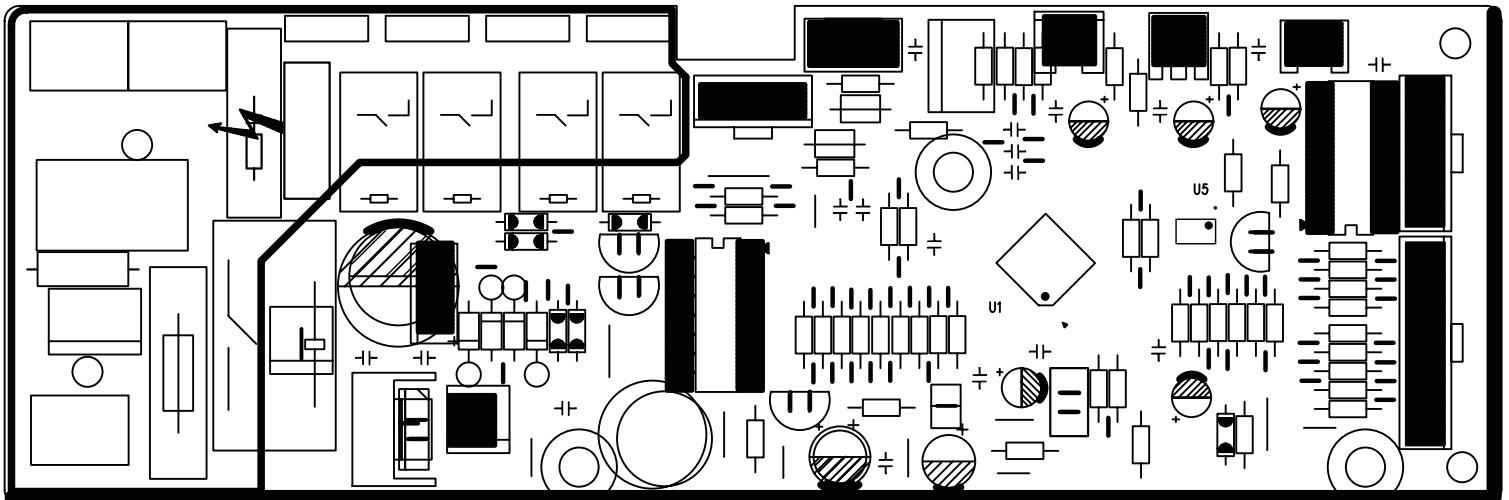
5.2.1 Silk screen on main board

12/18/21K



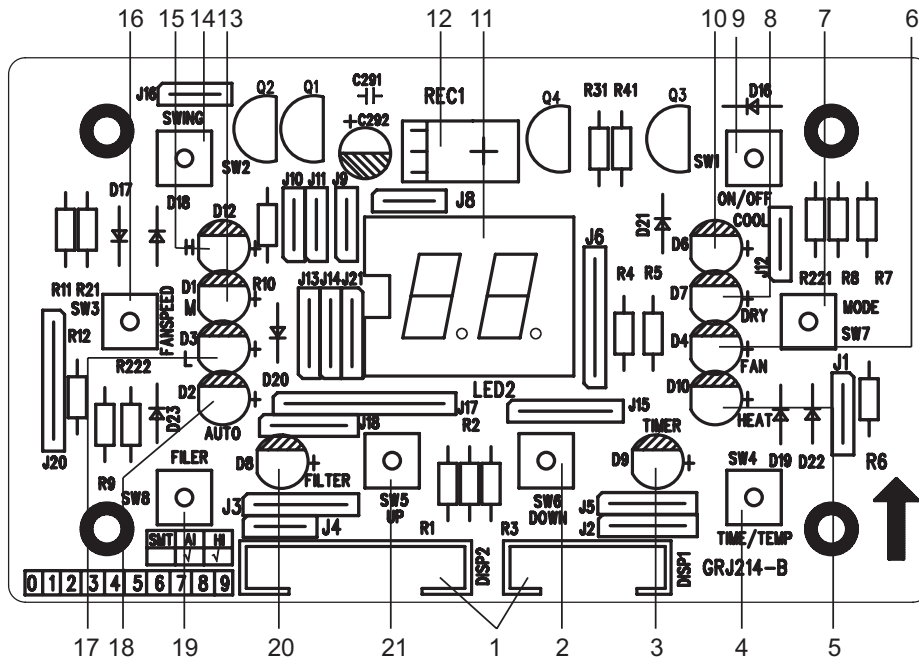
No.	Name	No.	Name	No.	Name	No.	Name
1	Shingle Wire Interface Needle Stand	6	Swing Interface Needle Stand	11	Resistance-capacitance Module	16	Fuse
2	Indoor tube temp Sensor	7	Four-way valve Contector	12	Copeer Insert of Neutral Wire	17	Compressor Relay
3	Indoor ambient temp Sensor	8	Low Fan Speed Interface	13	Voltage Dependent Resistor	18	7805 manostal
4	Outdoor tube temp Senser	9	Middle Fan Speed Interface	14	Transformer AC Input	19	Transformer AC Output
5	WIFI Module Interface Needle Stand	10	High Fan Speed interface	15	Copper Insert of Live Wire	20	Buzzer

●Bottom view



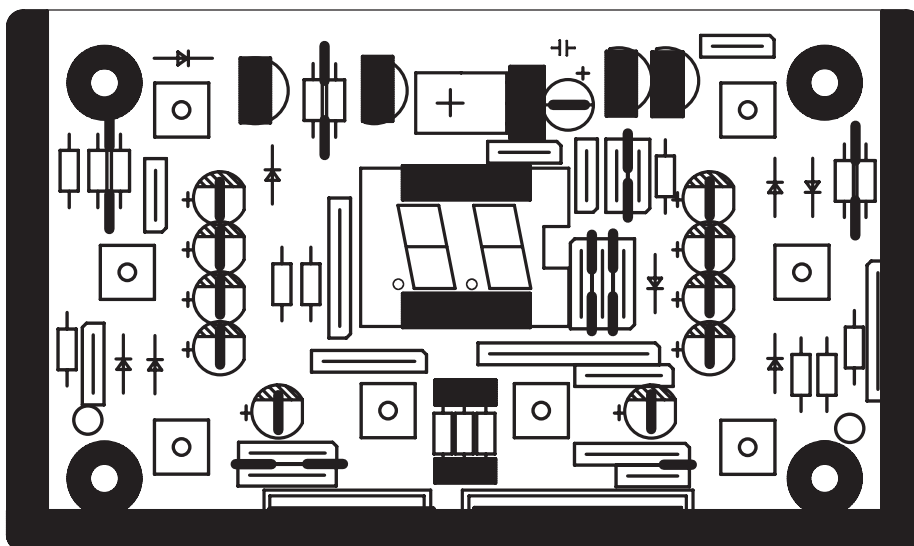
5.2.2 Silk screen on display board

•Top view



NO.	Name	NO.	Name	NO.	Name	NO.	Name
1	Connecting wire between boards to mainboard	7	Mode button	13	LED lamp of med. Fan speed	19	Filter cleaning button
2	"-" button	8	LED lamp of cooling	14	Swing button	20	Filter cleaning LED lamp
3	LED lamp of timer	9	ON/OFF button	15	LED lamp of high speed	21	"+"button
4	Timer button	10	LED lamp of drying	16	Fan speed button	22	/
5	LED lamp of heating	11	Nixie tube	17	LED lamp of low fan speed	23	/
6	LED lamp of fan	12	Infrared receiver	18	Auto mode	24	/

•Bottom view

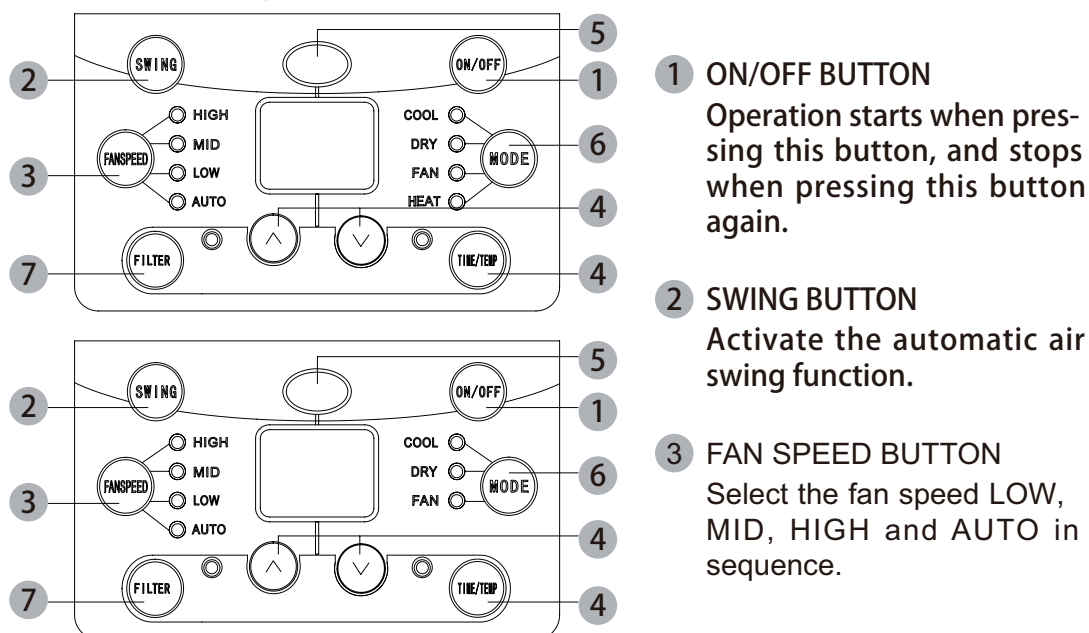


6.Function and Control

6.1 Introduction of Control Pane

Note:

If wireless remote controller is lost, you can use the remote control panel and operate manually.



1 ON/OFF BUTTON
Operation starts when pressing this button, and stops when pressing this button again.

2 SWING BUTTON
Activate the automatic air swing function.

3 FAN SPEED BUTTON
Select the fan speed LOW, MID, HIGH and AUTO in sequence.

4 TIME/TEMP BUTTON
Press the \wedge keypad to increase the set (operating) temperature of the unit. and Press the \vee keypad to decrease the set (operating) temperature of the unit. The temperature setting range is from 16~30°C. Press the \wedge keypad also to increase the selected time in 0.5 hour increments, and Press the \vee keypad to decrease the selected time in 0.5 hour decrements, The time setting range is from 0~10 hours. Press the \wedge keypad also to increase the selected time in 1 hour increments, and Press the \vee keypad to decrease the selected time in 1 hour decrements, The time setting range is from 10~24 hours.

5 SIGNAL RECEIVER

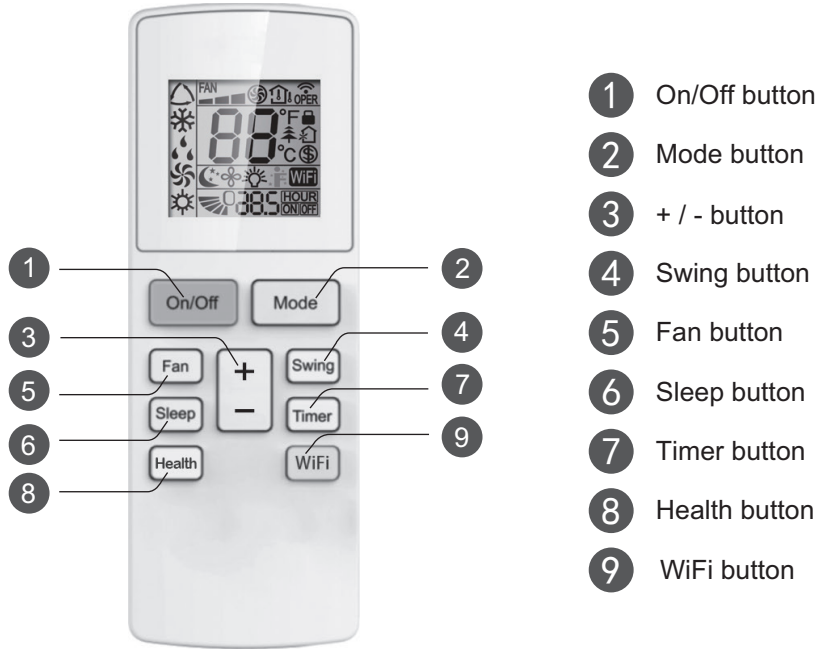
6 MODE BUTTON
Select the operation mode, AUTO, COOL, DRY, FAN, HEAT (for reverse cycle model) or AUTO, COOL, DRY, FAN (for cooling only model).

7 FILTER BUTTON
This feature is a reminder to clean the Air Filter (See Care and Cleaning) for more efficient operation and cooling. The LED (light) will illuminate after 250 hours of operation. To reset after cleaning the filter, press the "Check Filter" button and the light will go off. Before the LED(light) illuminate, press the "Check filter" button until after 3 seconds, the accumulated time of. Operation will be canceled.

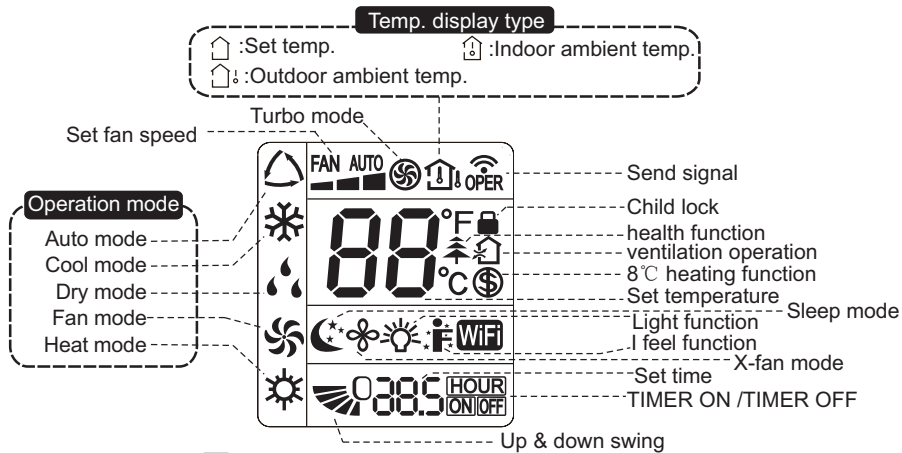
6.2 Introduction of Remote Controller

Buttons on Remote Controller

YAW1F7(WiFi)



Introduction for Icons on Display Screen



NOTICE: "WiFi" This is a general remote controller. Some models have this function while some do not. Please refer to the actual models.

Introduction for Buttons on Remote Controller

Note:

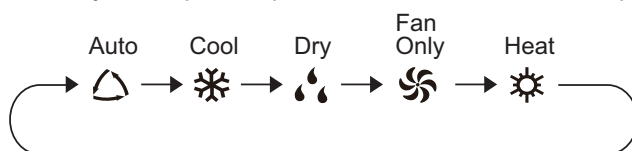
- This is a general use remote controller, it could be used for the air conditioners with multifunction; For some function, which the model doesn't have, if press the corresponding button on the remote controller that the unit will keep the original running status.

1 ON/OFF button

Press this button to turn on the unit. Press this button again to turn off the unit.

2 MODE button

Press this button can your required operation mode in turn. Corresponding indicator will be on.



- **Auto:** Under this mode, the unit will operate automatically according to ex-factory setting. In this case, set temperature cannot be adjusted.
- **Cool:** Under this mode, air conditioner operates under cooling mode. Cooling indicator will be on. Press “Fan Speed” button can adjust the fan speed. :
- **Dry:** Under this mode, the unit runs in low fan speed for dehumidification and the corresponding indicator is on; under dry mode, the fan speed cannot be adjusted.
- **Fan Only:** Under this mode, air conditioner will not cool or heat, only blow wind. Fan indicator will be on. Press “Fan Speed” button can adjust the fan speed.
- **Heat:** Under this mode, air conditioner operates under heating mode. Press “Fan Speed” button can adjust the fan speed. (Cooling only unit won't receive heating mode signal. If setting heat mode with remote controller, press ON/OFF button can't start up the unit.)

3 + / - button

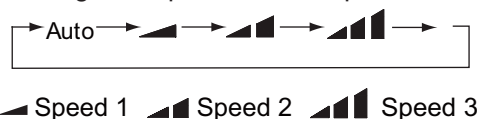
- Pressing “+” or “-” button once will increase or decrease set temperature by 1°F(°C). Hold “+” or “-” button for 2s, set temperature on remote controller will change quickly. Release the button after your required set temperature is reached.
- Under timer setting status, after each pressing of “+” or “-” button, time will increase or decrease 0.5h. Hold “+” or “-” button, 2s later, time displayed on dual-8 nixie tube will change quickly. Loosen the button until the time is reached to your set time.

4 Swing button

Press this button to turn “ON” & “OFF” swing.

5 Fan button

This button is used for setting Fan Speed in the sequence that goes from AUTO, , , to  then back to Auto.



NOTE: There are 3 speeds for the Fan Speed of this model.

6 Sleep button

Press this button to go into the Sleep operation mode. Press it again to cancel this function. This function is available in COOL, HEAT (Only for models with heating function) mode to maintain the most comfortable temperature for you.

7 Timer button

Under ON status, press this button to set timer OFF; Under OFF status, press this button to set timer ON. Press this button once and the characters of HOUR ON (OFF) will flash to be displayed. Meanwhile, press “+” button or “-” button to adjust timer setting (time will change quickly if holding “+” or “-” button). Time setting range is 0.5~24 hours. Press this button again to confirm timer setting and the characters of HOUR ON (OFF) will stop flashing. If the characters are flashing but you haven't press timer button, timer setting status will be quit after 5s. If timer is confirmed, press this button again to cancel timer.

8 Health button

Press this button to achieve the on and off of healthy and scavenging functions in operation status. Press this button for the first time to start scavenging function; LCD displays "🏠". Press the button for the second time to start healthy and scavenging functions simultaneously; LCD displays "🏠" and "🌳". Press this button for the third time to quit healthy and scavenging functions simultaneously.

Press the button for the fourth time to start healthy function; LCD display "🌳". Press this button again to repeat the operation above.

- This function is applicable to partial of models.

9 WiFi button

Press "WiFi" button to turn on WiFi function, "WiFi" icon will be displayed on the remote controller;

Hold "WiFi" button for 5s to turn off WiFi function and "WiFi" icon will disappear.

Under off status, press "MODE" and "WiFi" buttons simultaneously for 1s, WiFi module will restore factory settings.

- This function is only available for some models.

If "H1" is displayed on the remote controller while it's not operated by the professional person/after-sales person, it belongs to the misoperation.

Please operate it as below to cancel it. Under the OFF status of remote controller, hold the Mode button for 5s to cancel "H1" display.

Note:

- If remote controller displays "H1", it belongs to the normal function reminder. If the unit is defrosting under heating mode, it operates according to H1 defrosting mode. "H1" won't be displayed on the panel of indoor unit;
- Once you set H1 mode, if you turn off unit by remote controller, H1 will display 3 times on the remote controller and then disappear;
- Also, when you set H1 mode, when you change to heating mode, H1 will display 3 times on the remote controller and then disappear.

Function introduction for combination buttons

Temperature display switchover function

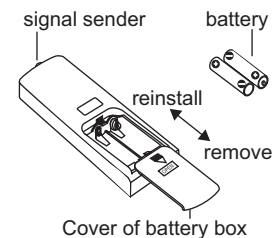
Under OFF status, press "-" and "Mode" buttons simultaneously to switch temperature display between °C and °F

Light function

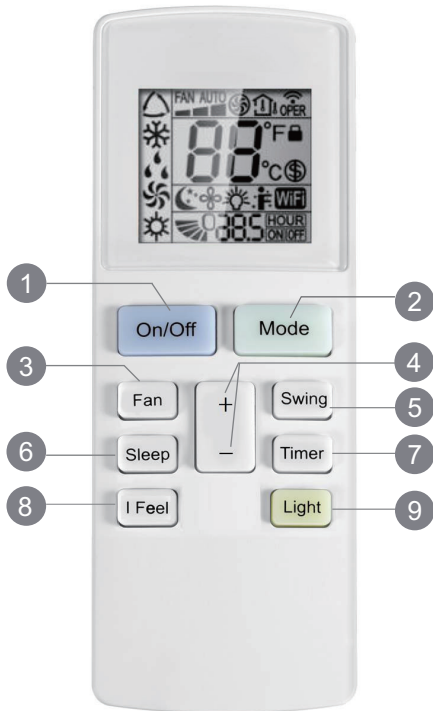
Under switch-on or switch-off state, you may hold "+" and "FAN" buttons simultaneously to set the lamp on or off and send the code. After being energized the lamp is defaulted on.

Replacement of batteries in remote controller

1. Press the back side of remote controller marked with "OPEN", as shown in the fig, and then push out the cover of battery box along the arrow direction.
2. Replace two 7# (AAA 1.5V) dry batteries, and make sure the position of "+" polar and "-" polar are correct.
3. Reinstall the cover of battery box.

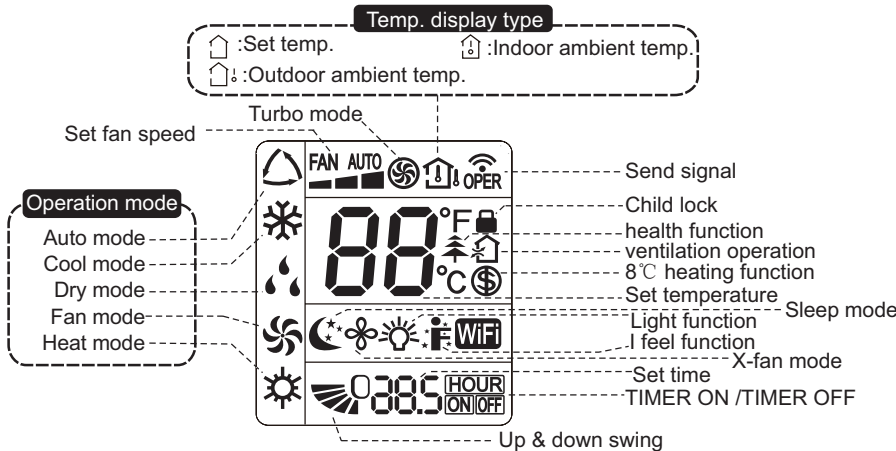


YAW1F11



- ① On/Off button
- ② Mode button
- ③ Fan button
- ④ + / - button
- ⑤ Swing button
- ⑥ Sleep button
- ⑦ Timer button
- ⑧ I Feel button
- ⑨ Light button

Introduction for icons on display screen



NOTICE: "WiFi" This is a general remote controller. Some models have this function while some do not. Please refer to the actual models.

Note:

- This is a general use remote controller, it could be used for the air conditioners with multifunction; For some function, which the model doesn't have, if press the corresponding button on the remote controller that the unit will keep the original running status.
- After putting through the power, the air conditioner will give out a sound. Operation indicator "🔼" is ON (red indicator, the colour is different for different models). After that, you can operate the air conditioner by using remote controller.
- Under on status, pressing the button on the remote controller, the signal icon "📶" on the display of remote controller will blink once and the air conditioner will give out a "di" sound, which means the signal has been sent to the air conditioner.
- Under off status, set temperature and clock icon will be displayed on the display of remote controller (If timer on, timer off and light functions are set, the corresponding icons will be displayed on the display of remote controller at the same time); Under on status, the display will show the corresponding set function icons.

1 On/Off button

Press this button to turn on the unit. Press this button again to turn off the unit.

2 Mode button

Each time you press this button, a mode is selected in a sequence that goes from AUTO, COOL, DRY, FAN, and HEAT *, as the following:



* Note: Only for models with heating function.

3 Fan button

This button is used for setting Fan Speed in the sequence that goes from AUTO, ■, ■■, to ■■■, then back to Auto.

* Note: Fan speed under dry mode is low speed.

4 + / - button

Press + / - button to increase / decrease set temperature. (Temperature can't be adjusted under auto mode)
When setting Timer On or Timer Off, press " + " or " - " button to adjust the time.

5 Swing button

Press this button to set up & down swing angle.

6 Sleep button

Under Cool or Heat mode, press this button to turn on Sleep function. Press this button again to cancel Sleep function. Under Fan , Auto and Dry modes, this function is unavailable.

7 Timer button

- Under ON status, press this button to set timer OFF; Under OFF status, press this button to set timer ON.
- Press this button once and the characters of HOUR ON (OFF) will flash to be displayed. Meanwhile, press "+" button or "-" button to adjust timer setting (time will change quickly if holding "+" or "-" button). Timer setting range is 0.5~24hours. Press this button again to confirm timer setting and the characters of HOUR ON (OFF) will stop flashing. If the characters are flashing but you haven't press timer button, timer setting status will be quit after 5s. If timer is confirmed, press this button again to cancel timer.

8 I Feel button

Press this button to start I FEEL function and " :FEEL " will be displayed on the remote controller. After this function is set, the remote controller will send the detected ambient temperature to the controller and the unit will automatically adjust the indoor temperature according to the detected temperature. Press this button again to close I FEEL function and " :FEEL " will disappear. When I FEEL function is turned on, the remote controller should be put within the area where indoor unit can receive the signal sent by the remote controller.

9 Light button

Press this button to turn on the display's light and press this button again to turn off the display's light.



If "H1" is displayed on the remote controller while it's not operated by the professional person/after-sales person, it belongs to the misoperation.

Please operate it as below to cancel it. Under the OFF status of remote controller, hold the Mode button for 5s to cancel "H1" display.
Note:

- If remote controller displays "H1", it belongs to the normal function reminder. If the unit is defrosting under heating mode, it operates according to H1 defrosting mode. "H1" won't be displayed on the panel of indoor unit;
- Once you set H1 mode, if you turn off unit by remote controller, H1 will display 3 times on the remote controller and then disappear;
- Also, when you set H1 mode, when you change to heating mode, H1 will display 3 times on the remote controller and then disappear.

● Function introduction for combination buttons

Combination of "+" and "-" buttons: About lock

Press "+" and "-" buttons simultaneously 3s to lock or unlock the keypad. If the remote controller is locked,  is displayed. In this case, pressing any button,  blinks three times.

Combination of "MODE" and "-" buttons: About switch between Fahrenheit and centigrade

At unit OFF, press "MODE" and "-" buttons simultaneously to switch between °C and °F.

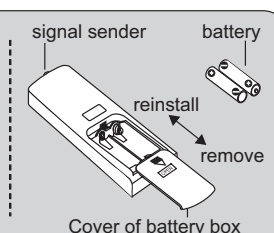
WIFI Function

Press the "I Feel" and "LIGHT" button on remote controller at the same time for 3 seconds till LED display on the front panel shows "AP" or "SC", This indicates that the air conditioner is ready to connect.

- This function is only available for some models.

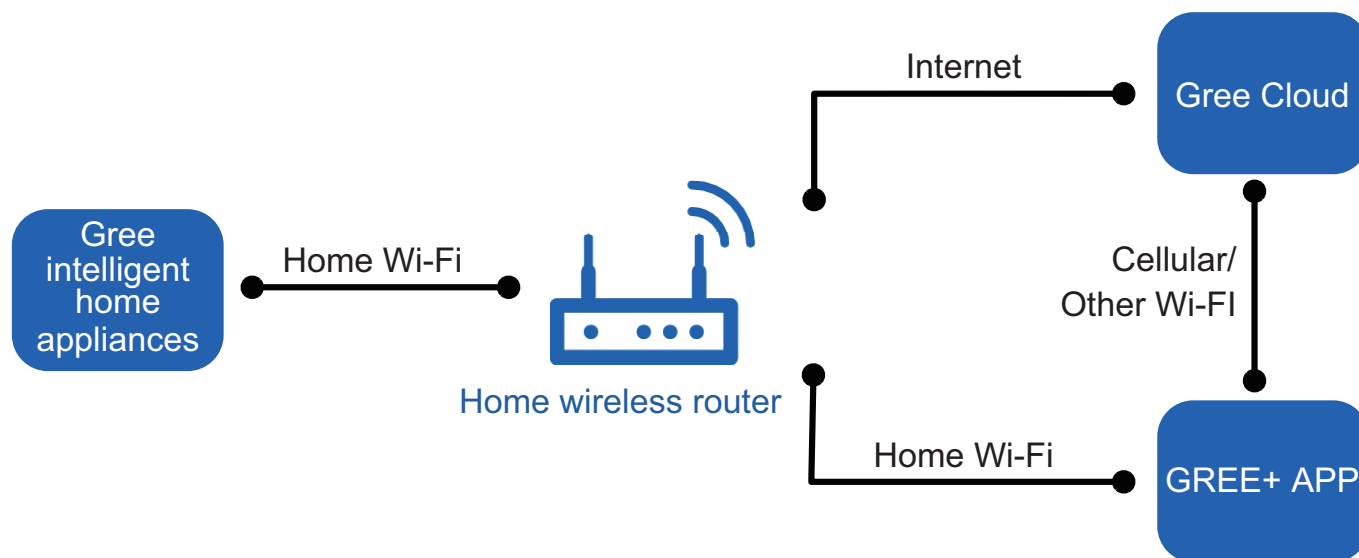
● Replacement of batteries in remote controller

1. Press the back side of remote controller marked with "OPEN", as shown in the fig, and then push out the cover of battery box along the arrow direction.
2. Replace two 7# (AAA 1.5V) dry batteries, and make sure the position of "+" polar and "-" polar are correct.
3. Reinstall the cover of battery box.



6.3 GREE+ App Operation Manual

Control Flow Chart



Operating Systems

Requirement for User's smart phone:



iOS system
Support iOS7.0 and
above version



Android system
Support Android 4.4 and
above version

Download and installation

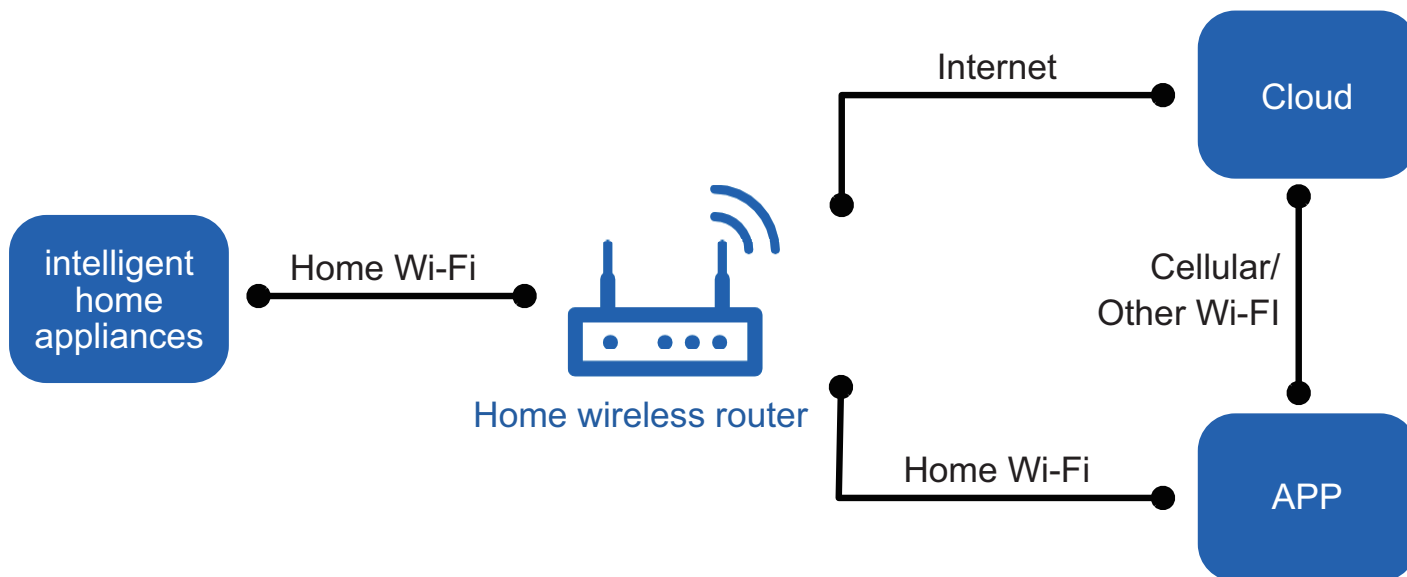


GREE+ App Download Linkage

Scan the QR code or search "GREE+" in the application market to download and install it. When "GREE+" App is installed, register the account and add the device to achieve long-distance control and LAN control of Gree smart home appliances. For more information, please refer to "Help" in App.

6.4 Ewpe Smart App Operation Manual

Control Flow Chart



Operating Systems

Requirement for User's smart phone:



iOS system
Support iOS7.0 and above version



Android system
Support Android 4.4 and above version

Download and installation



App Download Linkage

Scan the QR code or search "Ewpe Smart" in the application market to download and install it. When "Ewpe Smart" App is installed, register the account and add the device to achieve long-distance control and LAN control of smart home appliances. For more information, please refer to "Help" in App.

6.5 Function Introduction

1 Basic Function

1.1 Cooling mode

1.1.1 Cooling condition and process

- a. When $T_{\text{indoor amb.}} \geq T_{\text{preset}} + 1^{\circ}\text{C}$ (2°F), the unit operates in cooling mode. Meanwhile, compressor and outdoor fan operate and indoor fan operates at set fan speed.
- b. When $T_{\text{indoor amb.}} \leq T_{\text{preset}} - 1^{\circ}\text{C}$ (2°F), compressor and outdoor fan stop operation, while indoor fan operates at set fan speed.
- c. When $T_{\text{preset}} - 1^{\circ}\text{C}$ (2°F) $< T_{\text{indoor amb.}} < T_{\text{preset}} + 1^{\circ}\text{C}$ (2°F), the unit keeps original operation status.

1.1.2 In this mode, the set temperature range is $16^{\circ}\text{C} \sim 30^{\circ}\text{C}$ ($61^{\circ}\text{F} \sim 86^{\circ}\text{F}$)

1.2 Dry Mode

Dry Conditions and Process

- a. When $T_{\text{amb.}} > T_{\text{preset}} + 2^{\circ}\text{C}$ (4°F), the unit will operate in Cool mode, and the fan will run at low speed.
- b. When $T_{\text{preset}} - 2^{\circ}\text{C}$ (4°F) $\leq T_{\text{amb.}} \leq T_{\text{preset}} + 2^{\circ}\text{C}$ (4°C), the unit will operate in Dry mode. In that case, the indoor fan will operate at low speed. The compressor and the outdoor fan will stop for 6 min and operate for 4min circularly.
- c. When $T_{\text{amb.}} < T_{\text{preset}} - 4^{\circ}\text{C}$ (2°C), the compressor will stop working and the fan will operate at low speed.

Under this mode, the setting temperature range is $16 \sim 30^{\circ}\text{C}$ ($61 \sim 86^{\circ}\text{F}$)

1.3 Heating mode

1.4.1 When $T_{\text{indoor amb.}} \leq T_{\text{preset}} + 1^{\circ}\text{C}$ (2°F), the unit will operate at heating mode. Meanwhile, 4-way valve and compressor will operate. Fan will operate at cold air prevention condition;

1.4.2 When $T_{\text{indoor amb.}} \geq T_{\text{preset}} + 3^{\circ}\text{C}$ (6°F), compressor will stop operation while 4-way valve will be energized. Fan will operate at blowing residual heat mode.

1.4.3 When $T_{\text{preset}} + 1^{\circ}\text{C} < T_{\text{indoor amb.}} < T_{\text{preset}} + 3^{\circ}\text{C}$ (6°C), the unit will keep its previous operation status;

1.4.4 Under this mode, the temperature setting range is $16 \sim 30^{\circ}\text{C}$ ($61 \sim 86^{\circ}\text{F}$).

1.4 Fan mode

a. In this mode, compressor and electric heating pipe will stop operation and fan will operate at set speed.

b. In this mode, the set temperature range is $16^{\circ}\text{C} \sim 30^{\circ}\text{C}$ ($61^{\circ}\text{F} \sim 86^{\circ}\text{F}$).

1.6. Auto Mode

Working conditions and process

a. When $T_{\text{amb.}} \geq 26^{\circ}\text{C}$ (79°F), the unit will operate in Cool mode. $T_{\text{preset}} = 25^{\circ}\text{C}$ (77°F)

b. When $T_{\text{amb.}} \leq 22^{\circ}\text{C}$ (72°F), the heat pump unit will operate at heating mode and the cooling only unit will operate at fan mode; $T_{\text{preset}} = 20^{\circ}\text{C}$ (68°F);

When 22°C (72°F) $< T_{\text{amb.}} < 26^{\circ}\text{C}$ (79°F), the unit will maintain its previous running state. When the unit enters into auto mode for the first time, it will operate at fan mode.

2. Other function

2.1 Swing

When the fan operates, if swing is set, the swing motor will operate; When swing stops, the louver will stop in the position at that time.

2.2 Buzzer

Upon energization or operation, the buzzer will give out sound.

2.3 Sleep function

a. In Cool, Energy-saving or Dry mode, 1 hour after setting Sleep function, T_{preset} will increase 1°C (2°F); 2 hours later, T_{preset} will not increase 2°C (4°F) totally. Then, the setting temperature will not change, but the upper limit of setting temperature is 30°C (86°F).

b. In heat mode, 1 hour after setting Sleep function, T_{preset} will decrease 1°C (2°F); 2 hours later, T_{preset} will not decrease 2°C (4°F) totally. Then, the setting temperature will not change, but the lower limit of setting temperature is 16°C (61°F).

c. In Auto and Fan mode, there is no Sleep function.

d. If Sleep function has been set, the mode change will cancel the Sleep function.

e. Display of setting temperature is the same as that displayed in the remote controller, it will not automatically increase or decrease with the increase or decrease of setting temperature.

f. Only by pressing Sleep and Mode buttons can cancel the Sleep function.

2.4 Auto fan speed

a. Auto fan speed under heating mode or auto fan mode:

$T_{\text{amb}} \leq T_{\text{preset}} - 2^{\circ}\text{C}$ (4°F)	High speed;
$T_{\text{preset}} - 2^{\circ}\text{C}$ (4°F) $< T_{\text{amb}} < T_{\text{preset}}$	Medium speed;
$T_{\text{amb}} \geq T_{\text{preset}}$	Low speed;

b. Auto fan speed under cooling mode

$T_{\text{amb}} \geq T_{\text{preset}} + 2^{\circ}\text{C}$ (4°F)	High speed;
$T_{\text{preset}} < T_{\text{amb}} < T_{\text{preset}} + 2^{\circ}\text{C}$ (4°F)	Medium speed;
$T_{\text{amb}} \leq T_{\text{preset}}$	Low speed;

c. If under dry mode, the auto fan speed will be always low speed. Only LED lamp for low speed is on.

2.5 Alarm for Cleaning Filter

After the cumulative running of fan reaches 250h, the LED lamp of cleaning filter is on to remind customer of cleaning filter.

2.6 Timer Function

a. Timer on: it can be set when the unit is turned off. Set time range of timer is 0.5h~24h. The interval of each setting is 0.5h. When timer on is reached, the unit will operate at set mode.

b. Timer off: it can be set when the unit is operating. Set time range of timer is 0.5h~24h. The interval of each setting is 0.5h. When timer off is reached, the unit will be turned off.

2.7 Memory Function

When the unit is energized again after power failure, it will resume the previous operation status. If the unit is operating when power failure occurs, the compressor will be started up in 3 min later as the unit is energized again.

2.8 LED lamp, "Dual 8" NixieTube

- a. When the unit is operating in cooling mode, LED lamp of cooling will be on.
- b. Under fan mode, the LED lamp for fan mode will be on while under dry mode, the LED lamp for dry mode will be on.
- c. When fan speed is low, medium or high, the corresponding LED lamp (indicating low, medium or high speed) will be on. If it is auto fan speed, the LED lamp of auto fan speed will be on.
- d. When timer is set, the LED lamp of timer will be on. When the unit is under heating mode, the LED lamp for heating mode will be on.

2.9 Set Temperature

- a. The temperature can be set by button "UP/DOWN" and the set temperature will be displayed on nixie tube. If pressing "UP/DOWN" button for long time, the set temperature will be increased rapidly.
- b. °C or °F can be switched on nixie tube by pressing buttons "UP" and "down" simultaneously for 3 seconds.

2.10 Button

- a. ON/OFF button is used for turning on or turning off the unit. When the unit is turned off, press this button to turn on the unit; when the unit is turned on, press this button to turn off the unit.
- b. SWING button is used for controlling swing function. If swing function is set, press this button to turn it off. If it is not set, press this button to turn it on.
- c. FANSPEED button is used for adjusting fan speed. The fan speed will be circulated according to the sequence of AUTO FAN, FANL, FANM, FANH, ATUO FAN.
- d. UP, DOWN buttons are used for increasing and decreasing temperature and timer.
- e. Mode button is used for mode switching. For heat pump unit, Mode will be circulated according to sequence of AUTO, COOL, DRY, FAN, HEAT; The HEAT mode signal will be ineffective for cooling only unit and mode will be circulated according to the sequence of AUTO, COOL, DRY, FAN.
- f. Sleep function can only be set by the Sleep button on remote controller.

3. Protection Function

3.1 Freeze Protection

When the unit operates at cooling mode, if freeze protection is detected, the compressor will stop operation and indoor fan will operate at set speed. When freeze protection is removed, the unit will resume previous operation after 3 minutes later.

3.2 Defrosting

When the unit starts defrosting, Heating indicator off for 0.5s and then blinks for 10s.

3.3 Detection of temperature sensor malfunction

- a) The ambient temperature sensor is open or short circuit: dual-8 displays F1.
- b) The Indoor evaporator temperature sensor is open or short circuit: dual-8 displays F2
- c) The outdoor evaporator temperature sensor is open or short circuit: dual-8 displays F4
- d) If malfunctions happened together, the malfunction protection code will be circularly displayed by rotary method.
- e) If there is malfunction for temperature sensor, when the unit is on, the compressor or electric heating pipe will stop operation, the fan will stop when the compressor or electric pipe reaches the temperature point.

4. WIFI function

WIFI is defaulted on under exfactory status.

Part II : Installation and Maintenance

7. Notes for Installation and Maintenance

Safety Precautions: Important!

Please read the safety precautions carefully before installation and maintenance.

The following contents are very important for installation and maintenance.

Please follow the instructions below.

- The installation or maintenance must accord with the instructions.
- Comply with all national electrical codes and local electrical codes.
- Pay attention to the warnings and cautions in this manual.
- All electric work must be performed by a licensed technician according to local regulations and the instructions given in this manual.
- Be caution during installation and maintenance. Prohibit incorrect operation to prevent electric shock, casualty and other accidents.



Warnings

Electrical Safety Precautions:

1. Cut off the power supply of air conditioner before checking and maintenance.
2. The air condition must apply specialized circuit and prohibit share the same circuit with other appliances.
3. The air conditioner should be installed in suitable location and ensure the power plug is touchable.
4. Make sure each wiring terminal is connected firmly during installation and maintenance.
5. Have the unit adequately grounded. The grounding wire can't be used for other purposes.
6. Must apply protective accessories such as cable-cross loop and wire clip.
7. The live wire, neutral wire and grounding wire of power supply must be corresponding to the live wire, neutral wire and grounding wire of the air conditioner.
8. If power cord is broken, please get the specialized power cord from the manufacture or distributor.
9. If the power cord is not long enough, please get the specialized power cord from the manufacture or distributor. Prohibit prolong the wire by yourself.
10. Make sure all wires and pipes are connected properly.

11. Check if there is electric leakage on the unit body. If yes, please eliminate the electric leakage.
12. Replace the fuse with a new one of the same specification if it is burnt down; don't replace it with a cooper wire or conducting wire.
13. If the unit is to be installed in a humid place, the circuit breaker must be installed.

Installation Safety Precautions:

1. Please install the devices for short-circuit protection and electrical leakage protection when installing the air conditioner.
2. Select the installation location according to the requirement of this manual. (See the requirements in installation part)
3. Handle unit transportation with care; the unit should not be carried by only one person if it is more than 20kg.
4. When installing the unit, a sufficient fixing bolt must be installed; make sure the installation support is firm.
5. Wear safety belt if the height of working is above 2m.
6. Use equipped components or appointed components during installation.
7. Make sure no foreign objects are left in the unit after finishing installation.

Refrigerant Safety Precautions:

When refrigerant leaks or requires discharge during installation, maintenance, or disassembly, it should be handled by certified professionals or otherwise in compliance with local laws and regulations.

1. Avoid contact between refrigerant and fire as it generates poisonous gas; Prohibit prolong the connection pipe by welding.
2. Apply specified refrigerant only. Never have it mixed with any other refrigerant. Never have air remain in the refrigerant line as it may lead to rupture or other hazards.
3. Make sure no refrigerant gas is leaking out when installation is completed.
4. If there is refrigerant leakage, please take sufficient measure to minimize the density of refrigerant.
5. Never touch the refrigerant piping or compressor without wearing glove to avoid scald or frostbite.

Improper installation may lead to fire hazard, explosion, electric shock or injury.

Safety Precautions for Refrigerant

1. To realize the function of the air conditioner unit, a special refrigerant circulates in the system. The used refrigerant is the fluoride R32, which is specially cleaned. The refrigerant is flammable and odorless. Furthermore, it can lead to explosion under certain conditions. But the flammability of the refrigerant is very low. It can be ignited only by fire.
2. Compared to common refrigerants, R32 is a nonpolluting refrigerant with no harm to the ozone layer. The influence upon the greenhouse effect is also lower. R32 has got very good thermodynamic features which lead to a really high energy efficiency. The units therefore need a less filling.

WARNING:

1. Do not use means to accelerate the defrosting process or to clean, other than those recommended by the manufacturer. Should repair be necessary, contact your nearest authorized Service Centre. Any repairs carried out by unqualified personnel may be dangerous. The appliance shall be stored in a room without continuously operating ignition sources. (for example: open flames, an operating gas appliance or an operating electric heater.)
2. Do not pierce or burn.
3. Appliance shall be installed, operated and stored in a room with a floor area larger than 4m².
4. Appliance filled with flammable gas R32. For repairs, strictly follow manufacturer's instructions only. Be aware that refrigerants do not contain odour.
5. Read specialist's manual.



Appliance filled with flammable gas R32.



Before use the appliance, read the owner's manual first.



Before install the appliance, read the installation manual first.



Before repair the appliance, read the service manual first.

The figures in this manual may be different with the material objects, please refer to the material objects for reference.

Safety Operation of Flammable Refrigerant

Qualification requirement for installation and maintenance man

1. All the work men who are engaging in the refrigeration system should bear the valid certification awarded by the authoritative organization and the qualification for dealing with the refrigeration system recognized by this industry. If it needs other technician to maintain and repair the appliance, they should be supervised by the person who bears the qualification for using the flammable refrigerant.
2. It can only be repaired by the method suggested by the equipment's manufacturer.

Installation notes

1. The air conditioner is not allowed to use in a room that has running fire (such as fire source, working coal gas ware, operating heater).
2. The air conditioner must be installed in a room that is larger than the minimum room area. The minimum room area is shown on the nameplate or following table.
3. Leak test is a must after installation.

Table- Minimum room area (m²)

Minimum room area (m ²)	Charge amount (kg)	≤1.2	1.3	1.4	1.5	1.6	1.7	1.8	1.9	2	2.1	2.2	2.3	2.4	2.5
	floor location	/	14.5	16.8	19.3	22	24.8	27.8	31	34.3	37.8	41.5	45.4	49.4	53.6
window mounted	/	5.2	6.1	7	7.9	8.9	10	11.2	12.4	13.6	15	16.3	17.8	19.3	
wall mounted	/	4	4	4	4	4	4	4	4	4	4.2	4.6	5	5.5	6
ceiling mounted	/	4	4	4	4	4	4	4	4	4	4	4	4	4	4

Maintenance notes

1. Check whether the maintenance area or the room area meet the requirement of the nameplate.
It's only allowed to be operated in the rooms that meet the requirement of the nameplate.
2. Check whether the maintenance area is well-ventilated.
The continuous ventilation status should be kept during the operation process.
3. Check whether there is fire source or potential fire source in the maintenance area.
The naked flame is prohibited in the maintenance area; and the "no smoking" warning board should be hanged.
4. Check whether the appliance mark is in good condition.
Replace the vague or damaged warning mark.

Welding

1. If you should cut or weld the refrigerant system pipes in the process of maintaining, please follow the steps as below:
 - a. Shut down the unit and cut power supply
 - b. Eliminate the refrigerant
 - c. Vacuuming
 - d. Clean it with N₂ gas
 - e. Cutting or welding
 - f. Carry back to the service spot for welding
2. Make sure that there isn't any naked flame near the outlet of the vacuum pump and it's well-ventilated.
3. The refrigerant should be recycled into the specialized storage tank.

Filling the refrigerant

1. Use the refrigerant filling appliances specialized for R32. Make sure that different kinds of refrigerant won't contaminate with each other.
2. The refrigerant tank should be kept upright at the time of filling refrigerant.
3. Stick the label on the system after filling is finished (or haven't finished).
4. Don't overfilling.
5. After filling is finished, please do the leakage detection before test running; another time of leak detection should be done when it's removed.

Safety instructions for transportation and storage

1. Please use the flammable gas detector to check before unload and open the container.
2. No fire source and smoking.
3. According to the local rules and laws.

8. Installation

8.1 Installation Precaution

Window type conditioner is so valuable and the improper installation of it will cause a lot of damage! Please associate the professional technician to install the unit and don't install it by yourself. Otherwise, we are not responsible for the damage like this.

8.2 Location

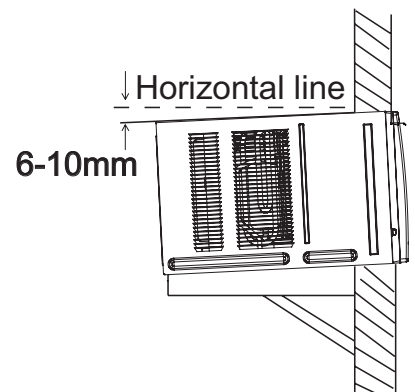
- The condensation water must be drained away conveniently.
- Install air conditioner unit far away from TV set or radio etc. to avoid disturbing video or voice.
- In salt and coastal area or place where is near thermal springs and polluted by sulphurous gas, or other special areas, please contact the seller before use.
- Avoid a place where is possible for inflammable gas to leak out.
- Avoid other heat sources or direct sun light.
- Avoid a place where is easy for children to touch.
- Don't use the unit in the immediate surroundings of a laundry, a bath, a shower or a swimming pool.
- For window type air conditioner with remote control, install in a location where is strong electromagnetic disturbance, you should contact the seller in advance to avoid the malfunction in use.

8.3 How to Install

- Choose a location where there are no any obstacle surrounding the unit, and the plug is accessible.
- Prepare the installation hole slightly bigger than unit size.
- Choose the installation space according to outline dimension diagram. (Please refer to the chapter 3)

8.4 Installation Procedure

- 1) Remove the sticker from the front panel.
- 2) Put the unit into the installation hole.
 - When installing, make sure the unit is slanted downward to the back to minimize the noise and vibration of operation. (Slant by 6-10mm.) (See the right figure)
 - Make sure the installation place is strong enough to minimize the noise and vibration of operation.
- 3) Fill the gaps in the cabinet with sponge or foam.

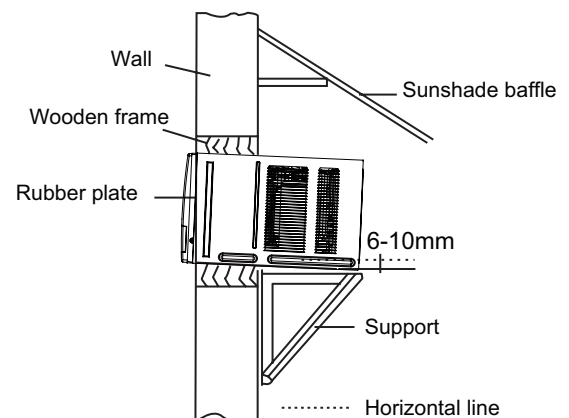


8.5 Installation Assistance

- 1) Use iron support

The installation hole should be strong enough to support the air conditioner. If it cannot, iron support has to be used outdoors. Iron support should be fixed on the building (Shown at right figure.)
- 2) Use sunshade board

Air conditioner should avoid anything to be dropped into it and avoid direct sunshine. If there is no cover on it, you should contact the seller for installing the sunshade board. When installing the sunshade board, don't let it block the air inlet at the side grille.



8.6 Drain Water for One Style

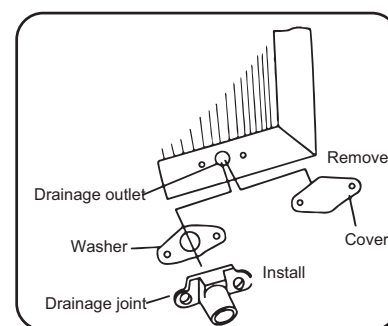
To get the maximum cooling efficiency, the air conditioner is designed to splash the condensate on the condenser coil.

If the splashing sound annoys you, you can provide an outside drain by using the following procedure, which may however cause a small loss of performance.

1. There is a drainage outlet at the back of the unit.
2. Remove cover from the drainage outlet, and then connect drainage joint to it with screw.
3. Connect the drain hose to the outlet.

Note:

Drain hose or tubing can be purchased locally to satisfy your particular needs.



8.7 Drain Water for Another Style

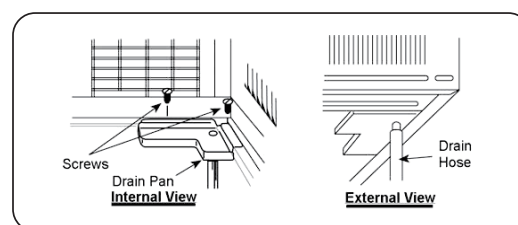
To get the maximum cooling efficiency, the air conditioner is designed to splash the condensation water on the condenser coil.

To the cooling only unit, if the splashing sound annoys you, you can provide an outside drain by using the following procedure, which may however cause a small loss of performance.

1. Slide out the chassis from the cabinet.
2. Remove the rubber plug from the body base plate.
3. Install the drain pan to the corner of the cabinet with 2 screws.
4. Connect the drain hose to the outlet on the drain pan bottom.
5. Slide the chassis into its original place in the cabinet.

Note:

Drain hose or tubing can be purchased locally to satisfy your particular needs.



8.8 Notes for Installation

1) Remove

Before removing air conditioner to the other place, you should contact the seller firstly. Then it must be done under the direction of the professional technician. In addition, the charge of this must be paid.

2) Noise

- Install in a location where is firm enough to avoid the enlargement of noise and vibration.
- Don't put anything in front of the outlet of outdoor unit to avoid increasing noise.
- Be sure that hot air or noise will not inconvenience neighbors.
- Please contact the seller as soon as there is strange noise during operation.
- Please use the safety support.

3) Electric wiring

- Must connect with ground reliably.
- The exclusive circuit must be used. But removable socket can't be used because poor contact of it can cause over heat or fire.
- Don't pull the power cord strongly.
- In fixed circuit, there must be electricity leakage protection switch and leakage current is less than 30mA.
- Connecting method between air conditioners and power cord and interconnecting method of each individual element with one another should accord with wiring diagram on the unit.
- The air conditioner should be installed in accordance with national wiring regulation.
- An all-pole disconnection switch having a contact separation of at least 3mm in all poles should be connected in fixed wiring.
- Air switch (thermal-magnetic breaker) should be installed in the circuit. If the supply cord is damaged, it must be replaced by the manufacturer or your dealer or a qualified person to avoid a hazard.
- All The electrical work must be done according to the local wiring regulations.

9.Maintenance

9.1 Error Code

NO.	Malfunction name	Display on dual-8 nixie tube	A/C Status	Possible reasons	Solution
1	Malfunction of indoor ambient temperature sensor	F1	Indoor fan runs according to set fan and other loads will stop.	<ol style="list-style-type: none"> 1. The wiring terminal between indoor ambient temperature sensor and controller is loosened or poorly contacted; 2. There's short circuit due to trip-over of the parts on controller; 3. Indoor ambient temperature sensor is damaged (Please check it by referring to the resistance table for temperature sensor) 4. Main board is broken. 	Refer to maintenance flowchart.
2	Malfunction of indoor tube temperature sensor	F2	Indoor fan runs according to set fan and other loads will stop.	<ol style="list-style-type: none"> 1. The wiring terminal between indoor tube temperature sensor and controller is loosened or poorly contacted; 2. There's short circuit due to trip-over of the parts on controller; 3. indoor tube temperature sensor is damaged (Please check it by referring to the resistance table for temperature sensor) 4. Main board is broken. 	Refer to maintenance flowchart.
3	Malfunction of outdoor tube temperature sensor	F4	Indoor fan runs according to set fan and other loads will stop.	<ol style="list-style-type: none"> 1. The wiring terminal between outdoor tube temperature sensor and controller is loosened or poorly contacted; 2. There's short circuit due to trip-over of the parts on controller; 3. indoor tube temperature sensor is damaged (Please check it by referring to the resistance table for temperature sensor) 4. Main board is broken. 	Refer to maintenance flowchart.
4	Insufficient fluorine protection	F0	Indoor fan runs according to set fan and other loads will stop.	<ol style="list-style-type: none"> 1. Heat exchangers are too dirty or the air inlet/outlet is blocked. 2. Compressor doesn't work normally. Strange noise or leakage occurs. Temperature of the shell is too high. 3. System is blocked inside(dirt block, ice block, oil block, Y-valve not fully open). 4. The refrigerant is leaking. 	Refer to maintenance flowchart.
5	Overload protection for compressor	H3	Indoor fan runs according to set fan and other loads will stop.	<ol style="list-style-type: none"> 1. Heat exchangers are too dirty or the air inlet/outlet is blocked. 2. Fan motor doesn't work at a normal fan speed; fan speed is too low or the fan doesn't run. 3. Compressor doesn't work normally. Strange noise or leakage occurs. Temperature of the shell is too high. 4. System is blocked inside(dirt block, ice block, oil block, Y-valve not fully open). 5. Draw-water motor can't operate normally. 6. Water outlet hasn't been blocked well by rubber cork . 7. The refrigerant is leaking and cause overheating protection to compressor. 	Refer to maintenance flowchart.

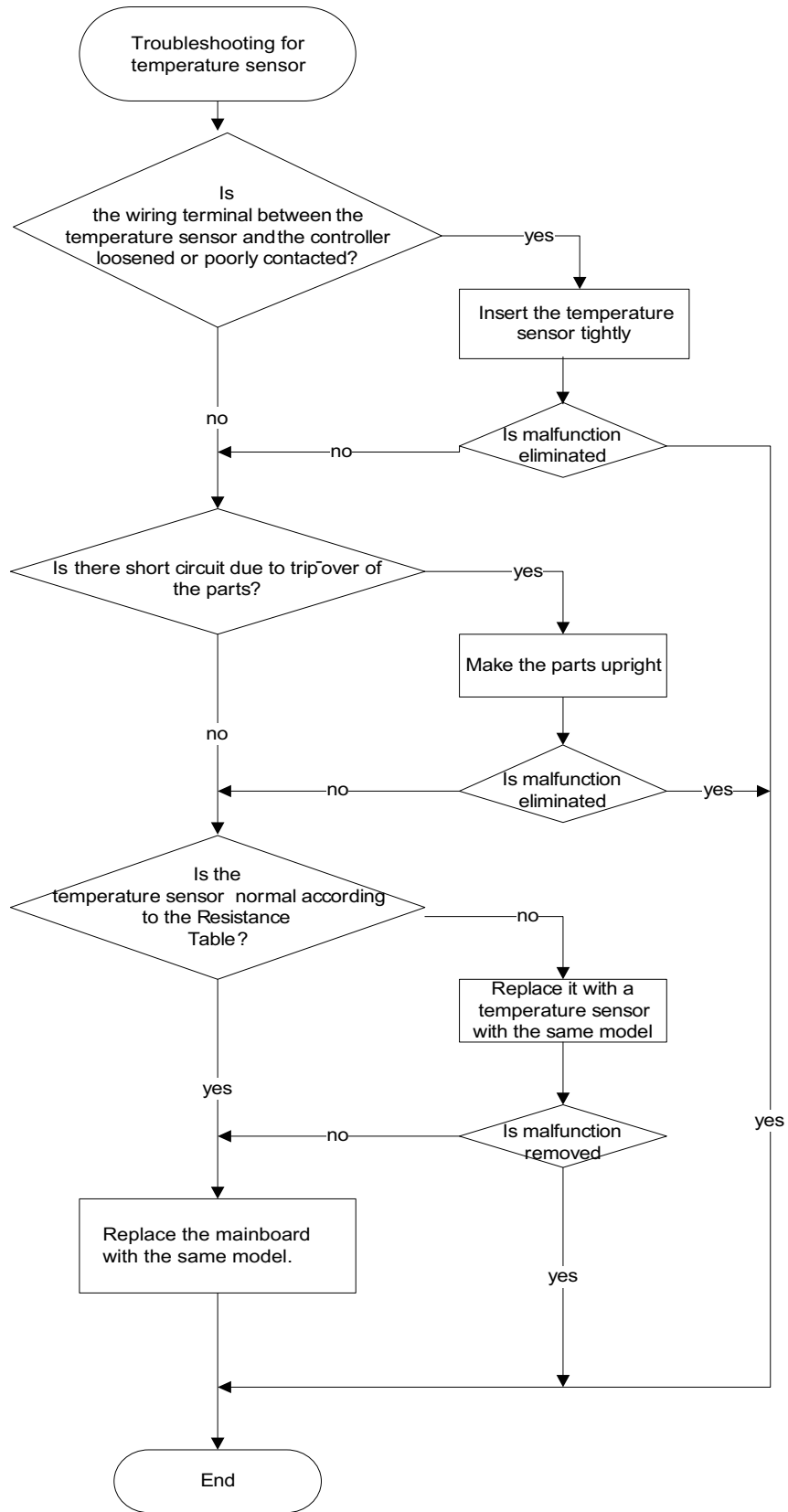
6	Overload malfunction	E8	During cooling or drying operation, indoor fan operates, while compressor, outdoor fan and water-striking motor stop. "E8" is displayed.	<ol style="list-style-type: none"> 1. The environment is formidable. 2. Heat exchangers are too dirty or the air inlet/outlet is blocked. 3. Fan motor doesn't work at a normal fan speed; fan speed is too low or the fan doesn't run. 4. Compressor doesn't work normally. Strange noise or leakage occurs. Temperature of the shell is too high. 5. System is blocked inside(dirt block, ice block, oil block, Y-valve not fully open). 6. Temperature sensor of main board can't detect correctly. 	Refer to maintenance flowchart.
7	Malfunction of detecting plate(WIFI)	JF	Loads operate normally, while the unit can't be normally controlled by APP.	<ol style="list-style-type: none"> 1. Main board of indoor unit is damaged; 2. Detection board is damaged; 3. The connection between indoor unit and detection board is not good; 	Refer to maintenance flowchart.
8	Defrosting	Heating indicator off for 0.5s and then blinks for 10s	Not the error code. It's the status code for the operation.		Refer to maintenance flowchart.

(1) When multiple malfunction occurs, error codes will be displayed in turns (when it detected that AD value of temperature sensor is ≥ 250 or ≤ 5 for consecutive 5s, it will enter into the temperature sensor protection);

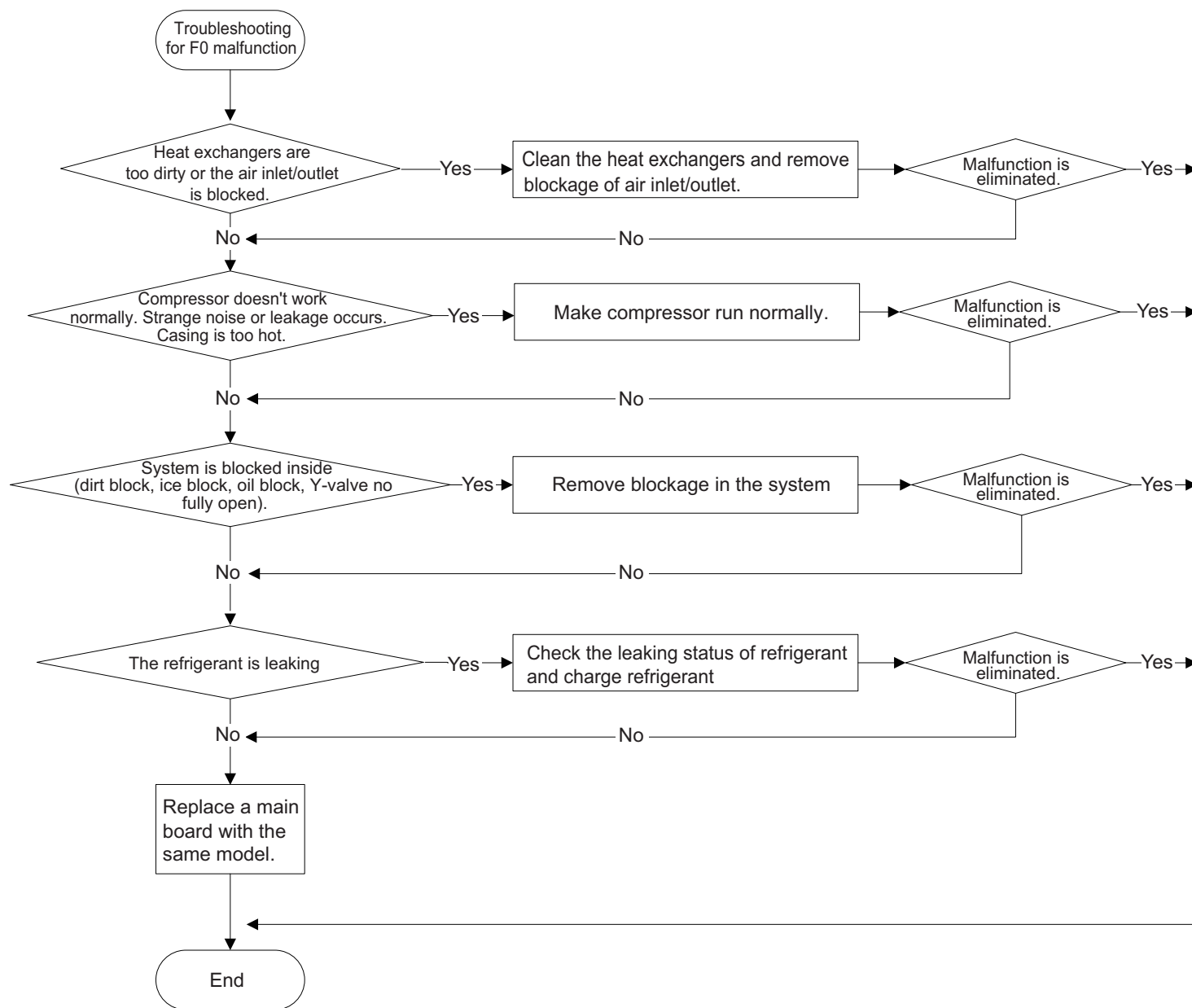
(2) Under on status, when there's temperature sensor malfunction, the compressor stops operation. Under non-heating mode, the fan operates according to set fan speed; under heating mode, the fan stops operation after blowing residual heat. Under off status, malfunction won't be displayed, but it can receive remote control signal and button signal. When there's above malfunction under off status, turn on the unit and it will only display the malfunction. The compressor won't stop operation. Under non-heating mode, the fan operates according to set fan speed; under heating mode, the fan stops operation.

9.2 Malfunction of Temperature Sensor

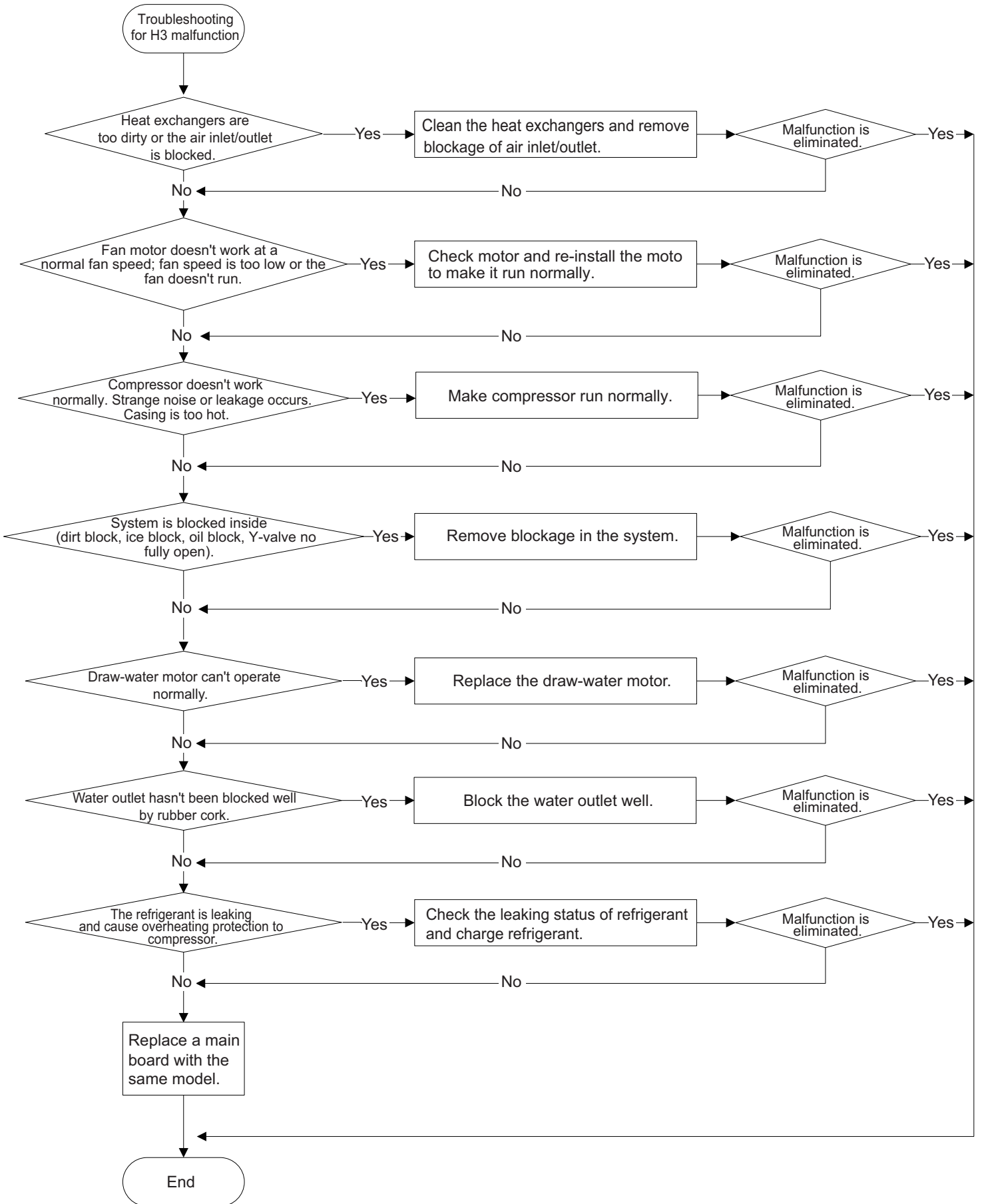
(1) Malfunction of temperature sensor F1, F2, F4



(2) Malfunction of Insufficient fluorine protection F0



(3) Malfunction of Overload protection for compressor H3



(4) Overload malfunction E8

